

RØROS[®] HETTA

Product catalogue 2022–2023

RØROS[®] HETTA

1946



1962



1986



2022



A JOURNEY OF HAND-CRAFTED AGILITY

The story of RørosHetta is interwoven with that of the remote and charming UNESCO World Heritage site, the village of Røros. This historic copper-mining town is home to colourful wooden houses that date back to the 1700s and known for its strong community spirit. Often described as 'a place of whispering history' Røros remains one of the most enchanting places in Norway.

For centuries the copperworks in Røros delivered world-class craftsmanship and engineering. In this magical mountain town, tradition and innovation have always gone hand-in-hand.

It is therefore no surprise that Røros Metall, is still driven by that same community spirit today, showcasing their world-class craftsmanship and innovation with RørosHetta cooker hoods. The 3rd generation family business started in 1946, after the Second World War, as a Metal workshop, utilising mostly locally mined copper as raw material for their craft to rebuild Norway. With agility, determination and innovation, the business adapted with the changing times, from stove-plates and fireplaces to caravans and corner fridges, before carving a name out for themselves as a leading brand in kitchen ventilation.

Today, hundreds and thousands of homes adorn the hoods of RørosHetta.

RørosHetta hoods are unique in many aspects. The ability to completely customise both the dimensions and colours of the hoods, brings a truly bespoke finish to the kitchen. Furthermore, the SENSE smart technology brings a world-first level of care to the kitchen, looking after both the well-being and comfort of the family.

"Our starting point has always been offering silent and exceptional kitchen ventilation, but we believe a cooker hood should be so much more. With almost half of house fires originating from kitchen appliances, and with all the new research highlighting the dangers of indoor pollution, we felt it vital to bring a new standard of care that looks after the wellbeing of our customers" says Håvard Augensen, CEO of RørosHetta.



Standing the test of time by investing in technology and design.



Scan the code with your mobile and read the story of RørosHetta.

THANKS TO: Sigdal, HTH, Norema, Strai Kjøkken, Huseby, JKE, Marbodal, Magnet, Drømmekjøkken, Ballingslöv, Tvis Kjøkken, Designa, Kvik, Os Trekultur and Toniton.

CONTENTS

INTRODUCTION

01 – Introduction	RørosHetta SENSE	p. 6
	Stove Guard	p. 12
	Customisation	p. 14
	Custom Colours	p. 16
	Ventilation Types	p. 18
	Understanding Sound and Noise Levels	p. 19

HOODS

02 – Wall-Mounted	Luna	p. 22
	Trend	p. 26
	Stripe	p. 28
	Cetus	p. 29
	Gaia	p. 30
	Orion	p. 32
	Grue 80/100	p. 36
	Grue 80/80	p. 37
	Mantica	p. 38
	Titan	p. 42
	Harmoni	p. 43
	Stil	p. 44
	Symfoni	p. 45
	Tradisjon	p. 46
	Tradisjon Exclusive	p. 48
	Royal	p. 50
	Leda	p. 51
	Unique	p. 52
	Vero	p. 54
	Tellus	p. 56
	Argo	p. 57
	Pyramide	p. 58
	Hera	p. 59
	Merkur	p. 60
	Vega	p. 61
	Lyra	p. 62
	Helios	p. 63
	Flora	p. 64
	Cilindro	p. 65



03 – Downdraft and Combos	Elegant	p. 68
---------------------------	---------	-------

04 – Island and Ceiling Hoods	Vision	p. 72
-------------------------------	--------	-------



Luna	p. 74
Stripe	p. 76
Cetus	p. 77
Mantica	p. 78
Cilindro	p. 80
Pyramide	p. 81
Hera	p. 82
Flora	p. 83

05 – Integrated Hoods	600	p. 85
-----------------------	-----	-------



Venus/800 LED	p. 86
Crystall 1140/Crystall 1160/1180	p. 87
Optima	p. 88
Fortuna	p. 89
Ignis	p. 90
Neptune/Aria	p. 91

ACCESSORIES AND GUIDES

06 – Accessories and Guides	Daily use and Maintenance	p. 93
-----------------------------	---------------------------	-------

Hood Installation	p. 94
Charcoal Filter for Recirculation	p. 95
Ducting	p. 96
QR-code Gallery	p. 97
Terms of Delivery	p. 98
Materials	p. 99



ADAPTS TO YOUR NEEDS

We are the first manufacturer in the world to have 11 smart sensors integrated into our cooker hood. Ventilation and lights start automatically and adapts speed according to the level of air pollution.

THE WORLD'S SMARTEST COOKER HOOD



RørosHetta continues its journey in breaking boundaries when it comes to cooker hoods.

With launching integrated smart technology and with life-saving features that brings a new level of comfort and care to the kitchen. Two of the important health and safety issues the RørosHetta SENSE Hoods aim to address is Indoor Air Quality (IAQ) and Fire Safety.

Poor indoor air quality has been linked to a range of illnesses, including asthma, pneumonia, lung cancer, chronic obstructive pulmonary disease, and cardiovascular disease. With research noting that nearly half of UK homes have hazardous indoor pollution, it makes sense that the cooker hood also regulates air quality to healthy standards. Loss assessors note that cooking appliances account for 48% of accidental fires in the UK, which causes significant material loss, emotional trauma and not to mention the possible loss of human lives. It is therefore essential that more safety features need to be brought into the kitchen to prevent such devastation.



RørosHetta's cooker hoods are among the quietest on the market, and they ensure good indoor air quality.

COMFORT

The RørosHetta SENSE features state-of-the-art brushless motors that consume up to 70% less energy than conventional electric motors and one of the *most silent hoods in the world* running at only 53 dBA at maximum normal extraction (read more about noise levels here: page 19).

HASSLE-FREE COOKING

The RørosHetta SENSE hoods bring further comfort to the kitchen by completely *automating both lights and ventilation*, as well as offering smart-home or smart-phone integration.

The hood has 11 built-in sensors that measure a range of air quality features, such as fine particles (PM2.5), total volatile organic

compounds (TVOC), eCO₂, humidity, temperature as well as movement. In addition, it has automatic LED lights that have colour temperature rendering ability to adapt to the kitchen style or mood.

Using a variety of complex algorithms, the SENSE hood knows exactly how to respond to ensure optimal ventilation by *adjusting extraction speed*, thus ensuring *hassle-free cooking, minimum noise-levels, minimum energy usage, less greasy deposits elsewhere in the kitchen and a healthy indoor air quality throughout the day*. The hood will continue to ventilate in silent mode once cooking is finished, until air quality is restored to normal.

FULL CONTROL OF YOUR INDOOR AIR QUALITY



ENSURES CLEAN AIR



RørosHetta SENSE adapts to your indoor air quality, based on the World Health Organization's recommendations.

COOKING PRECISION

Ovens give users the ability to cook at a fixed temperature, allowing cooking precision, but this has not been the case with hobs. Perfecting the hob temperature is tricky and understanding recipe instructions such as 'med-low heat' is confusing at the best of times. On top of that, the temperature of different hob brands varies drastically when it comes to their level-settings.

With the SENSE smart-cooking function, users can see the temperature of their hob worktop, therefore greatly reducing the variability and risk in the cooking process and allowing much better management. Both the experienced and inexperienced cooks can take on riskier recipes with confidence and cook with greater ease and less hassle.

LONG LIFE ODOUR FILTER (RECIRCULATION ONLY)

Whilst most hoods require changing their carbon (odour) filters every 1 to 3 months, our long-life Monoblock filters last up to 5 years! (900 hours of cooking) That's 60 times longer than conventional filters, for added convenience and time saving.

Most filters are also often very inefficient, with as little as 30% odour reduction, thus making very little impact on your kitchen air quality. The result is often a noisy hood and smelly kitchen that really detracts from the cooking experience. Our state-of-the-art filters remove 90% of odour and we've added a special unique coating to remove fish odour. Gone are the days of lingering fish-odour in your clothes or hair and allowing you to wake up to the smell of fresh coffee, rather than last night's herring!

CUSTOMISATION



The SENSE technology is hidden, so the hood's design, style and colour can be tailored to suit your kitchen.

CARE

FIRE SAFETY

With almost half of all fires in the UK starting from the kitchen, the RørosHetta SENSE has proven a very effective way to save lives. The built-in technology alerts users whenever it senses a fire risk, whether it's a hob forgotten on at a low heat or drastic overheating. The SENSE-technology sends an alert to the app to notify the user, sounds an alarm on the hood itself, as well as sending an email notification to selected emergency contacts, which is also an important feature for carers and landlords.

The fire safety feature can be upgraded to Stove Guard functionality, by adding a PCU-unit, this allows the hood to cut the power and switch off any electrical hob in case of fire emergency.

Although most houses are equipped with fire safety items (such as smoke alarms, fire blankets and extinguishers), our Stove Guard actually prevents fires from starting.

INDOOR AIR QUALITY (IAQ)

With 90% of time spent indoors, the subject of indoor air quality has featured in several publications, with a recent study showing that nearly half of homes in the UK have hazardous indoor pollution.

With SENSE indoor air quality control, the hood won't just ventilate the pollutants from cooking, but can automatically regulate and ventilate the home, whenever there is an issue with air quality. The user is notified via smart alert and email whenever air quality drops to hazardous, and when it returns to normal.

SMART APP

The RørosHetta app is available on iOS and Google Play and can also be integrated with Smart homes. The hood functions can be set to manual or automatic, as well as controlled via the app.

GOOD TO KNOW

*Products with
SENSE technology*

All the hoods supplied with RørosHetta SENSE technology are produced at our factory in Røros. Whilst there is a wide range of designs to choose from, the motor and technology are all standard. To see which hoods feature this technology, look out for the symbol below.



Look for this symbol to identify cooker hoods that include SENSE technology.



All products that include RørosHetta SENSE are marked with this symbol.

The app is not required to operate the hood, and completely optional, but allows additional features. The app allows smart-alerts for fire-safety and air quality (if opted-in), cloud-integration to store historic air quality data (if opted-in), setting up emergency contacts for safety alert emails and displaying air quality details. The LED colour rendering to warmer colours can only be done through the app. Wi-Fi is required for cloud-integration and email alerts are set up through the app during the initial instalment.

The stylish SENSE hoods are all customisable to colour match kitchens as well as the ability to customise dimensions for the truly bespoke finish. All the SENSE hoods are environmentally friendly with A++ or A+ energy rating and come with a 5-year warranty as standard.

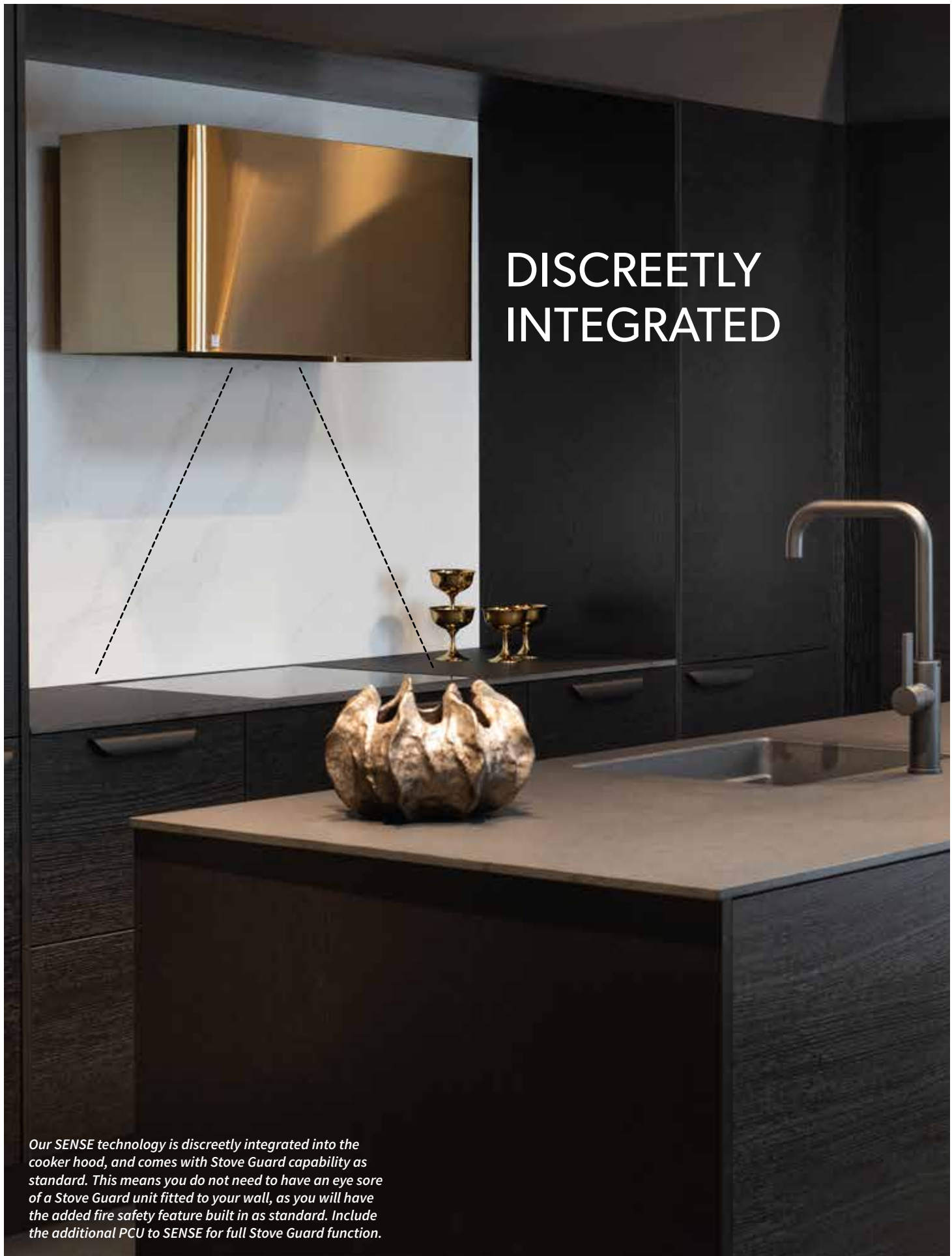
WANT TO KNOW MORE?

Scan the code with your mobile to watch a video about RørosHetta SENSE.

GOOD TO KNOW

Safe and Sound

The SENSE range come with a variety of smart features and can be completed with a PCU to act as a Stove Guard. Read more about Stove Guards on page 13.



DISCREETLY INTEGRATED

Our SENSE technology is discreetly integrated into the cooker hood, and comes with Stove Guard capability as standard. This means you do not need to have an eye sore of a Stove Guard unit fitted to your wall, as you will have the added fire safety feature built in as standard. Include the additional PCU to SENSE for full Stove Guard function.

MAKING EVERYDAY LIFE SAFER

A Stove Guard is a very effective way to prevent fire.

The Stove Guard is a fire safety feature that sounds an alarm in the case of a fire risk. If the alarm is not manually cancelled, it will cut the power to the hob. Stove Guards work as a combination of two separate units: a sensor on the hood that detects risk and a PCU adapter that is fitted to any electrical hob. The sensor sends a signal to the PCU to cut the power to the hob, thus significantly reducing the risk of fire. Hoods with SENSE technology have an integrated Stove Guard sensor as standard but if you require this functionality for a different hood we also carry a range of these as stand-alone units.

GOOD TO KNOW

Stove Guard features

A Stove Guard is an excellent complement to your smoke alarm. While standard Stove Guards only have a local alarm, the RørosHetta SENSE allows smart alerts to an app on your phone, as well as optional SMS and/or email alerts. The RørosHetta SENSE hoods require an additional PCU for full Stove Guard function, which would allow the hood to also cut the power to the hob. Without the PCU, it is unable to cut the power but will send out several forms of warnings in case of fire risk.

SG

Look for this symbol for hoods with an optional integrated Stove Guard





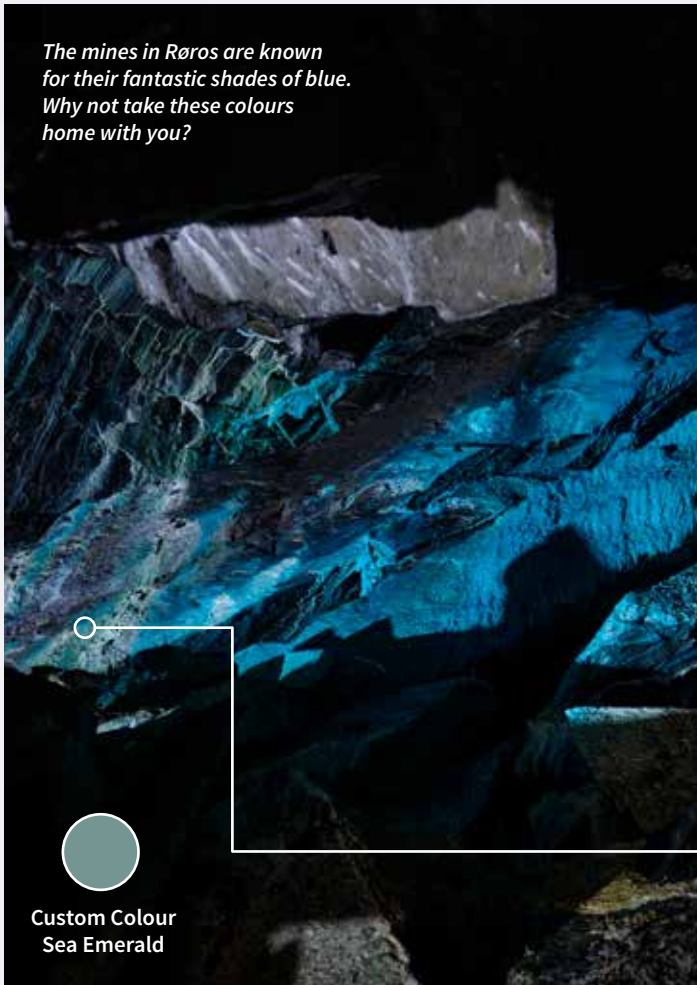
*Mantica, custom width 90 cm, free-hanging,
black, angled to fit the sloped ceiling.*

CELEBRATE YOUR INDIVIDUALITY

Our SENSE range is handmade with care, allowing you endless possibilities to celebrate your individuality with style. You can customise the material or finish, change the dimensions and have a choice of any colour you can dream of. We custom-make our hoods with state-of-the-art laser technology down to the last millimeter. Would you like an extra-wide hood? Or increase the length of your hood under a high ceiling? No problem – we'll handle it.



The mines in Røros are known for their fantastic shades of blue. Why not take these colours home with you?



Custom Colour
Sea Emerald



Wall-mounted Cilindro in "Sea Emerald" finish in standard gloss.

Wall-mounted Grue 80/80 in the colour "Antique green".



Here we have been inspired by the colours of the surroundings. The hood has been lacquered in the same colour as the green house in one of the famous streets of Røros.

Custom Colour
Antique green

SHOW OFF YOUR TRUE COLOURS

With a number of our cooker hoods, you are free to choose any colour at no extra charge. Find your inspiration in the colours of your kitchen, in nature, or go for something bold and vibrant! You are free to choose any colour of your choice. Your hood will then be lacquered to match your kitchen. Unleash your creativity and design a cooker hood exactly the way you want it!

GOOD TO KNOW

Which hoods are available in any colour?

The three different gloss levels in which our hoods can be supplied are "standard" (gloss level 35), "matt" (gloss level 10) and "high gloss" (gloss level 95). In addition, a number of models can be supplied with the metal finish of your choice. Read more about materials options at page 99.



Look for this symbol to identify cooker hoods that are available in any colour.



Look for this symbol to identify cooker hoods that are available in any PVD metal.

Create harmony in the kitchen by colour-coordinating the hood and furniture. Here we see a wall-mounted Mantica in a custom colour match.



VENTILATION TYPES

WHAT IS THE DIFFERENCE BETWEEN EXTRACTION (DUCT-OUT) OR RECIRCULATION?

Extraction is when the stale air is extracted to the outside of your house through ducting.

With **recirculation**, the air that enters the cooker hood is cleaned using a carbon filter and extracted back into the room. Most hoods are interchangeable and can be used for either **external extraction** or **recirculation**, depending on how it is installed. For recirculation, the hood only requires a carbon filter to very easily be placed inside the hood, whereas the installation for external extraction requires ducting to run from the hood to the outside of the house.

WHICH IS BETTER EXTRACTION OR RECIRCULATION?

Extraction: Extraction (or duct out), is without a doubt the better option. Extraction completely removes any odour, moisture, and harmful air out of the home and allow much better control over air quality.

Pros:

- Most efficient and economical way to maintain a fresh and healthy environment for inhabitants and reduces moisture that could cause damp / mould to the property. Quieter than recirculation if ducted correctly.

Cons:

- Requires ducting through an outside wall, which limits its location in the kitchen.

- Having a professional fit the ducting is essential. A badly fitted duct would greatly decrease level of extraction (and result in higher electricity bills), cause the ventilation to be noisy and could trap moisture/leak/organic material.
- For every meter of ducting or 90 degree bend, the hood loses approximately 25 m³/h extraction, therefore could require a higher extraction rate to compensate.
- Generally greater heat loss during winter times, due to blowing out warm air.

Recirculation: Top-end cooker hoods with good quality filters works well at eliminating odours, but still require more maintenance in comparison to extraction and the filters are often costly and needs to be replaced frequently in order to stay efficient. The cheaper recirculation filters are often very ineffective when it comes to reducing odour (as low as 30%) and with shorter life-span (as low as monthly). It's therefore important to study the effectiveness of the filter before making a choice of hood.

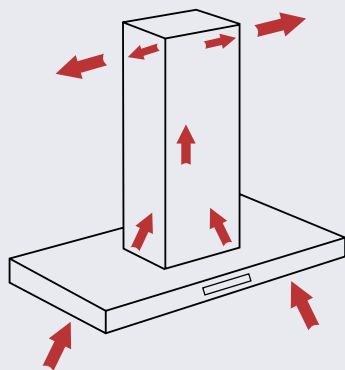
Pros:

- The Hob and Hood can be placed anywhere in the kitchen with little design limitation.
- Easy installation with no additional structural work needed (not needed to modify walls)
- No heat loss during winter time due to the discharge of warm air.

Cons:

- Costly filters that require more maintenance.
- Depending on the quality filter and use, it needs replacement between once a month to once every 5 years.

- Cheaper recirculation hoods generally have poor filters, which means it is of little benefit or function.
- Poor control over air-quality and little control over humidity.
- Building regulations require new builds to have external ventilation in the kitchen, which means that if recirculation is used, additional external ventilation would be required.
- Recirculation requires intensive airing to ventilate the room after cooking to remove moisture (leading to a loss of heat during winter).
- Louder than extraction hoods.
- Airflow rate is reduced by a carbon filter.



Design tip for recirculating hoods: It is advisable to take the exit point into account from where the recirculated air would blow back air into the room. It would be wise to leave an adequate open distance from exit-grid. The more powerful the ventilation the greater the distance would be required. This will reduce the amount of turbulence caused by blowing air back into the room.

SOUND AND NOISE LEVELS

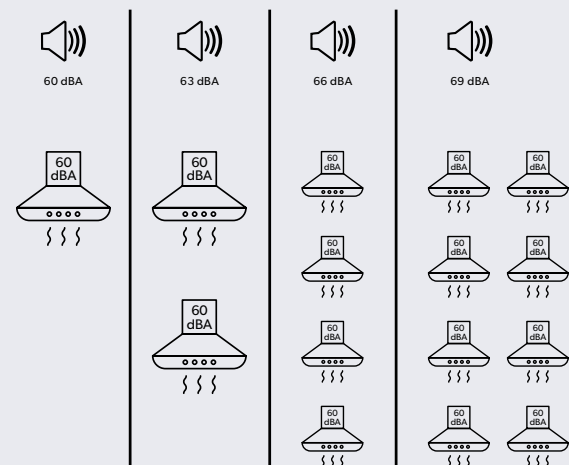
Noise pollution is a relative thing. It could be a jet plane taking off or a colleague loudly slurping coffee. In the kitchen, it's the noisy cooker hood that spoils the culinary experience... but it doesn't have to be. We are often asked, what is the most important function to consider, extraction level or noise? The truth is, whilst effective extraction remains the most important function, it is irrelevant if the cook does not use the hood because of the noise. Sadly, this is very often the case. Surveys show that the cooker hood noise remains one of the biggest frustrations in kitchens, and the main reason why many do not use the hood at all. The result is sadly a hood that is often nothing more than an ugly ornamental light.

UNDERSTANDING DECIBELS (DBA)

Human hearing has an incredible range (one to a trillion!) therefore the scale is awkward and we needed to use a scale that would make sense, hence using logarithmic scale. It's important to note that it's not linear, which means that the difference between 50 and 60 decibels is much smaller than the difference between 60 and 70 dB but will be explained in more detail.

The 3 dB Rule

Because of its logarithmic nature, an increase of 3 dB actually means **doubling** the sound intensity. Therefore, following the example in the illustration, if you have 2 appliances running at 60 dBA noise at the same time, (thus doubling) the total noise would increase by 3 dB to 63 dB. With every further doubling of sound intensity, we add a further 3 dBA. This means that a hood running at 69 dBA emits the same noise as 8 hoods of 60 dBA running at the same time. Thus, a hood running at 71 dBA would emit the same noise as 64 of our SENSE hoods running at the same time at 53 dBA!



Comfortable levels of noise

As a guide, at around 63 dBA is where noise starts to become a nuisance for conversation.

In comparison, 70 dBA is roughly the level of a smartphone set on a speakerphone.

Therefore, to have a comfortable kitchen it's recommended to find a hood with sufficient extraction (>400 m³/h) below 63 dB.

Although the sound level at BOOST level is often advertised, it's less useful, as the hood should not often be operated at boost.

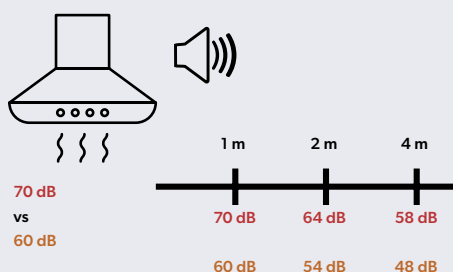
The sound level at maximum normal extraction is a much more meaningful figure.

Comparing noise between hoods

When comparing noise levels between hoods, it is important to use comparative extraction levels – you cannot compare the noise of a Hood X running at 300 m³/h extraction with the noise of a Hood Y that extracts 650 m³/h, as the Hood Y is naturally expected to have a much higher noise. In such a case, find a speed setting of Hood Y that has the closest level of extraction to compare the noise at that setting.

The impact of distance on noise

When it comes to designing the layout of the kitchen, having a quiet relaxed atmosphere in the dining or living area (especially in open plans) is important. Understanding how distance affects noise levels from appliances is therefore important. The distance at which the dB of the cooker hood is measured is 1m from the centre, the noise would be reduced by 6 dB every time that distance from the hood (or any appliance) is doubled. Using 1m away as the starting point, means 2 m away has a 6 dB reduction, 4 m away a 12 dB reduction, 8 m away would be 18 dB reduction.



NOISE CONCLUSION:

Poor installation is often the cause of noisy hoods, therefore make sure to find a good installer. It is strongly advisable to spend a bit more on a silent hood that would create an environment where the person cooking can join in with conversation or enjoy music while cooking. A noisy cooker hood can cause a lot of frustration and take away the joy of both the cooking and dining experience.

02



WALL- MOUNTED HOODS



A wall-mounted hood is the most common choice and is suitable for most kitchens.

There are many attractive designs in our range, and installation is straight forward. Placing the hob against an outer-wall often simplifies ducting to the outside, allowing the most efficient extraction.

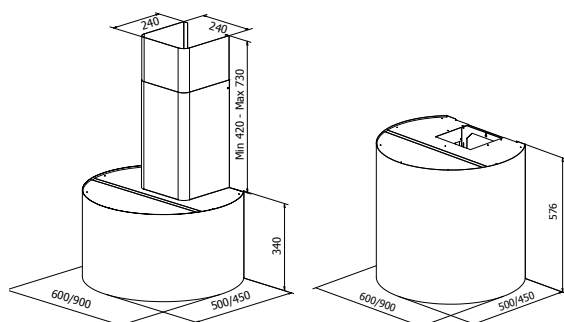
Luna

⊕ Also available as free-hanging (page 74)

PRODUCT PHOTO



DIMENSIONED DRAWING



TECHNICAL INFORMATION

Energy class	A++/A+
Extraction (m³/h)	191/222/289/435 (B 664)
Noise level (dBA)	34/38/44/53 (B 63)
Lighting	LED 2700-5000K
Outlet dimensions	120/150
Installation pack	125/160
Height of wall-attachment	15 mm from the top of the main unit
AUX-signal	Yes

AVAILABLE OPTIONS

	Price GBP	
Brushed steel	Yes	Incl.
Any colour, gloss 35	Yes	Incl.
Any colour, matt 10	Yes	535
Any colour, high gloss 95	Yes	535
Other metals, brushed	Yes	630
Other metals, high gloss	Yes	630
Stove Guard PCU (optional)	Yes	300

TYPES OF VENTILATION

Duct out	Yes
Recirculation	Yes



Luna is breath-taking and a feature that works beautifully in both contemporary and traditional kitchens, bringing a fresh elegance and energy to the space. Complete the look with brass or copper elements for a modern yet timeless feel or bring out your individuality with a colour of your choice. Luna's dimensions can be customised at additional cost, but as standard available in two formats.

PRICE LIST

Item no.	Product name	Width	Finish	Price GBP
101300	Luna SENSE Wall 60 x 34 with chimney	60 cm	Brushed steel/Colour	1 100
101500	Luna SENSE Wall 60 x 57.6 without chimney	60 cm	Brushed steel/Colour	1 020
101900	Luna SENSE Wall 90 x 34 with chimney	90 cm	Brushed steel/Colour	1 190
102100	Luna SENSE Wall 90 x 57.6 without chimney	90 cm	Brushed steel/Colour	1 130
9260	Installation pack	125 mm	-	35
9261	Installation pack	160 mm	-	40
8521	Longlife charcoal filter	-	-	150
9304	PCU for Stove Guard functionality	-	-	300
9245	Custom chimney height, up to 1 m	-	Brushed steel/Colour	130
9241	Custom chimney height, up to 1,9 m	-	Brushed steel/Colour	225
9242	Additional charge for custom angled chimney	-	-	135
9305	Custom height, up to 105 cm	-	-	215

Additional charge for matt or high-gloss finish, PVD copper, steel, black steel or brass, in brushed or high-gloss finish, see page 99.

SEE MORE ONLINE:



Scan code with your mobile



Luna 90 with chimney in brushed brass adds the finishing touch to this gorgeous, colourful kitchen.





*Brushed steel is back in fashion!
Here we see Luna 60 in brushed steel (with a height of 34 cm) with a chimney that's been adapted to a sloped ceiling. The design flows beautifully, complementing a contemporary design with natural tones.*

Our products are the result of a long and proud tradition of craftsmanship. Luna is made by hand at our factory in Røros, Norway.



CONTINUED FROM PREVIOUS PAGE

LUNA

A POPULAR JEWEL

Luna has become one of our most popular cooker hoods – and for good reason. With its simple, stylish design, it adds a luxurious feel to your kitchen. A wide range of customisation options allows it to fit in with both traditional and modern kitchens. The curved shape also makes Luna a beautiful choice for kitchens with or without wall cabinets.



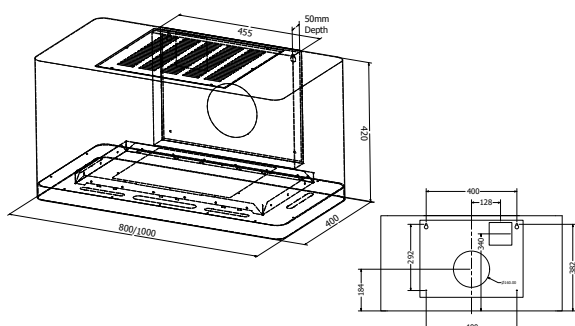
*Why settle for function when you can have
STYLE? A small addition can accentuate your
design and give it a distinctively sleek look.*

Trend

PRODUCT PHOTO



DIMENSIONED DRAWING



Mounting bracket seen from behind

TECHNICAL INFORMATION

Energy class	A+
Extraction (m ³ /h)	191/222/289/435 (B 664)
Noise level (dBA)	34/38/44/53 (B 63)
Lighting	LED 2700-5000K
Outlet dimensions	120/150
Installation pack	125/160
Height of wall-attachment	382 mm from the bottom of the hood
AUX-signal	Yes

AVAILABLE OPTIONS

	Price GBP	
Brushed steel	Yes	Incl.
Any colour, gloss 35	Yes	Incl.
Any colour, matt 10	Yes	535
Any colour, high gloss 95	Yes	535
Other metals, brushed	Yes	630
Other metals, high gloss	Yes	630
Stove Guard PCU (optional)	Yes	300

TYPES OF VENTILATION

Duct out	Yes
Recirculation	Yes



Trend is a hood with sleek sophistication and striking style that combines for a glorious effect. The extra support bracket gives the hood distance from the wall, creating an intriguing floating effect. Trend can be supplied in a vast variety of colours as well as any of our metal finishes. The metal finish makes the hood stand out as a feature and allow the option of matching with other metal finishing in the kitchen.

PRICE LIST

Item no.	Product name	Width	Finish	Price GBP
205100	Trend SENSE Wall 80 x 42	80 cm	Brushed steel/Colour	1 800
205300	Trend SENSE Wall 100 x 42	100 cm	Brushed steel/Colour	1 940
9261	Installation pack	160 mm	-	40
8521	Longlife charcoal filter	-	-	150
9304	PCU for Stove Guard functionality	-	-	300

Additional charge for matt or high-gloss finish, PVD copper, steel, black steel or brass, in brushed or high-gloss finish, see page 99.

SEE MORE ONLINE:



Scan code with your mobile

Brushed brass is popular finish among our customers – and we can understand why. Trend 100 in brushed brass, combined with matt walls and marble, creates an elegant look in this kitchen.



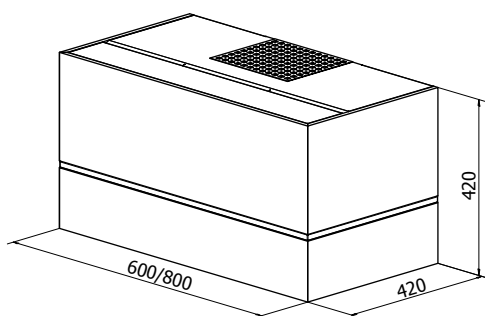
Stripe

⊕ Also available as free-hanging (page 76)

PRODUCT PHOTO



DIMENSIONED DRAWING



TECHNICAL INFORMATION

Energy class	A++/A+
Extraction (m ³ /h)	191/222/289/435 (B 664)
Noise level (dBA)	34/38/44/53 (B 63)
Lighting	LED 2700-5000K
Outlet dimensions	150
Installation pack	160
Height of wall-attachment	10 mm from the top
AUX-signal	Yes

AVAILABLE OPTIONS

		Price GBP
Brushed steel	No	-
Any colour, gloss 35	Yes	Incl.
Any colour, matt 10	Yes	535
Any colour, high gloss 95	No	-
Other metals, brushed	No	-
Other metals, high gloss	No	-
Stove Guard PCU (optional)	Yes	300

TYPES OF VENTILATION

Duct out	Yes
Recirculation	Yes



Stripe is one of our latest models. Its stylish and contemporary design, combined with the many options, has made it very popular. Stripe is manufactured from oak and is supplied in the colour of your choice or untreated oak veneer, with a decorative strip in the metal or any colour of your choice. The reversible motor gives the option of ducting out at the rear.

PRICE LIST

Item no.	Product name	Width	Finish	Price GBP
209600	Stripe SENSE Wall 60 x 42	60 cm	Oak	1 270
209700	Stripe SENSE Wall 80 x 42	80 cm	Oak	1 365
9261	Installation pack	160 mm	-	40
8521	Longlife charcoal filter	-	-	150
9304	PCU for Stove Guard functionality	-	-	300

The wood is oak veneer. It is supplied in any colour of your choice, clear lacquered or untreated. The decorative strip is supplied in PVD metal or lacquered colour of your choice at no extra charge.

SEE MORE ONLINE:



Scan code with your mobile



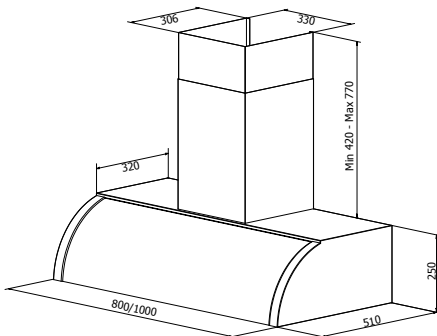
Cetus

⊕ Also available as free-hanging (page 77)

PRODUCT PHOTO



DIMENSIONED DRAWING



TECHNICAL INFORMATION

Energy class	A+
Extraction (m ³ /h)	191/222/289/435 (B 664)
Noise level (dBA)	34/38/44/53 (B 63)
Lighting	LED 2700–5000K
Outlet dimensions	120/150
Installation pack	125/160
Height of wall-attachment	430 mm from the bottom of the hood
AUX-signal	Yes

AVAILABLE OPTIONS

	Price GBP	
Brushed steel	Yes	Incl.
Any colour, gloss 35	Yes	Incl.
Any colour, matt 10	Yes	535
Any colour, high gloss 95	Yes	535
Other metals, brushed	No	-
Other metals, high gloss	No	-
Stove Guard PCU (optional)	Yes	300

TYPES OF VENTILATION

Duct out	Yes
Recirculation	Yes



Cetus is a beautiful hood that gives a sense of nostalgia that offers excellent opportunities for developing your own design. The hood itself can be made in any colour and the edge strips can be supplied in various metals. Playing around with colours and finishes gives you the freedom to go for something unique and modern, or something more classic or vintage-style. The hood can be stand-alone without the chimney to allow you to integrate the hood under a wall cabinet.

PRICE LIST

Item no.	Product name	Width	Finish	Price GBP
208100	Cetus SENSE Wall 80 x 25	80 cm	Brushed steel/Colour	1 165
208300	Cetus SENSE Wall 100 x 25	100 cm	Brushed steel/Colour	1 210
9260	Installation pack	125 mm	-	35
9261	Installation pack	160 mm	-	40
8521	Longlife charcoal filter	-	-	150
9304	PCU for Stove Guard functionality	-	-	300
9245	Custom chimney height, up to 1 m	-	Brushed steel/Colour	130
9241	Custom chimney height, up to 1,9 m	-	Brushed steel/Colour	225
9242	Additional charge for angled chimney	-	-	135

Additional charge for matt or high-gloss colours, see page 99.
Side strips can be supplied in the PVD metal of your choice at no extra charge.

SEE MORE ONLINE:



Scan code with your mobile

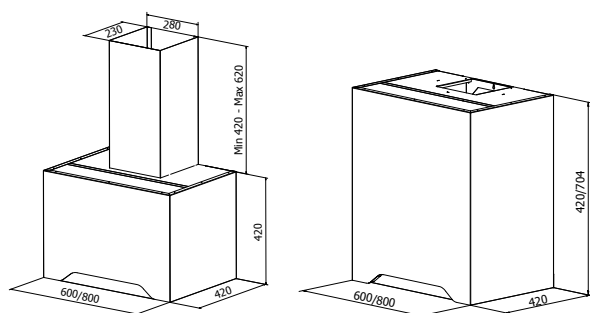


Gaia

PRODUCT PHOTO



DIMENSIONED DRAWING



TECHNICAL INFORMATION

Energy class	A++/A+
Extraction (m ³ /h)	191/222/289/435 (B 664)
Noise level (dBA)	34/38/44/53 (B 63)
Lighting	LED 2700-5000K
Outlet dimensions	120/150
Installation pack	125/160
Height of wall-attachment	10 mm from the top of the main unit
AUX-signal	Yes

AVAILABLE OPTIONS

	Price GBP	
Brushed steel	Yes	Incl.
Any colour, gloss 35	Yes	Incl.
Any colour, matt 10	Yes	535
Any colour, high gloss 95	Yes	535
Other metals, brushed	No	-
Other metals, high gloss	No	-
Stove Guard PCU (optional)	Yes	300

TYPES OF VENTILATION

Duct out	Yes
Recirculation	Yes



Gaia is a contemporary hood with clean, straight lines that make it stand out. This model is designed to match kitchens with cut-outs in doors and drawers, and is available in 60 and 80 cm widths. Gaia is supplied with a beautiful decorative strip in the front, in a PVD metal or lacquered in the colour of your choice.

PRICE LIST

Item no.	Product name	Width	Finish	Price GBP
335300	Gaia SENSE Wall 60 x 42 with chimney	60 cm	Brushed steel/Colour	1 240
335100	Gaia SENSE Wall 60 x 70.4 without chimney	60 cm	Brushed steel/Colour	1175
335700	Gaia SENSE Wall 80 x 42 with chimney	80 cm	Brushed steel/Colour	1265
335500	Gaia SENSE Wall 80 x 70.4 without chimney	80 cm	Brushed steel/Colour	1215
9260	Installation pack	125 mm	-	35
9261	Installation pack	160 mm	-	40
8521	Longlife charcoal filter	-	-	150
9304	PCU for Stove Guard functionality	-	-	300
9310	Chimney, customisable	-	Brushed steel/Colour	125
9305	Custom height, up to 109 cm	-	-	215
9307	Custom width, up to 100 cm	-	-	415
9311	Custom width, up to 154 cm	-	-	565

Front panel cut-out is supplied in steel (lacquered in the colour of your choice) or PVD metal at no extra charge. Additional charge for matt or high-gloss colours, see page 99.

SEE MORE ONLINE:



Scan code with your mobile



Gaia 80 with lacquered chimney is a perfect choice for a kitchen with clean and modern lines.

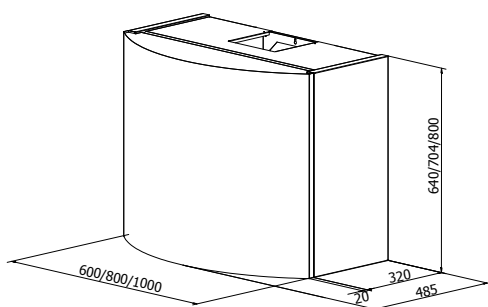


Orion

PRODUCT PHOTO



DIMENSIONED DRAWING



TECHNICAL INFORMATION

Energy class	A++/A+
Extraction (m ³ /h)	191/222/289/435 (B 664)
Noise level (dBA)	34/38/44/53 (B 63)
Lighting	LED 2700-5000K
Outlet dimensions	120/150
Installation pack	125/160
Height of wall-attachment	15 mm from the top
AUX-signal	Yes

AVAILABLE OPTIONS

	Price GBP	
Brushed steel	Yes	Incl.
Any colour, gloss 35	Yes	Incl.
Any colour, matt 10	Yes	535
Any colour, high gloss 95	Yes	535
Other metals, brushed	Yes	630
Other metals, high gloss	Yes	630
Stove Guard PCU (optional)	Yes	300

TYPES OF VENTILATION

Duct out	Yes
Recirculation	Yes



Orion has versatility to suit every kitchen, it comes at no surprise that Orion is one of our best-sellers. The curved front with flat sides makes it the perfect hood for in-between cabinets, giving the kitchen a slick look with seamless aesthetics. As a stand-alone wall unit, the hood is boldly sophisticated with a modern yet timeless feel. For stand-alone units, the sides need to be treated as an optional extra.

PRICE LIST

Item no.	Product name	Width	Finish	Price GBP
135200	Orion SENSE Wall 60 x 64	60 cm	Brushed steel/Colour	1 020
135800	Orion SENSE Wall 60 x 70.4	60 cm	Brushed steel/Colour	1 020
135500	Orion SENSE Wall 60 x 80	60 cm	Brushed steel/Colour	1 080
136200	Orion SENSE Wall 80 x 64	80 cm	Brushed steel/Colour	1 120
136800	Orion SENSE Wall 80 x 70.4	80 cm	Brushed steel/Colour	1 120
136500	Orion SENSE Wall 80 x 80	80 cm	Brushed steel/Colour	1 250
134100	Orion SENSE Wall 100 x 64	100 cm	Brushed steel/Colour	1 310
9260	Installation pack	125 mm	-	35
9261	Installation pack	160 mm	-	40
8521	Longlife charcoal filter	-	-	150
9304	PCU for Stove Guard functionality	-	-	300
9245	Custom chimney height, up to 1 m	-	Brushed steel/Colour	130
9305	Custom height, up to 115 cm	-	Brushed steel/Colour	215
9307	Custom width, up to 100 cm	-	Brushed steel/Colour	415
9303	Sides same as front	-	Brushed steel/Colour	110

If this model is to be installed in a location other than between wall cabinets, the sides must be ordered in the same finish as the front. Additional charge for matt or high-gloss finish, PVD copper, steel, black steel or brass, in brushed or high-gloss finish, see page 99.

SEE MORE ONLINE:



Scan code with your mobile



Orion 60 lacquered in the same colour as the walls creates a harmonious feel in this contemporary kitchen.





Tailor your hood to make it an integral part of your kitchen design. Here we see Orion 80 in high-gloss copper to match the lamps.



We have the solution – whether you want to highlight your cooker hood or prefer it to fit in seamlessly. Orion 80 in black lacquer creates a harmonious feel in this beautiful kitchen.

ORION

A TIMELESS ALL-ROUNDER

Orion is one of our most versatile hoods. This is our best-selling cooker hood, because it offers so many options and can fit in anywhere. It is available in various heights and widths, and it slides nicely in between wall cabinets – making it the ideal choice if you need a lot of storage space in your kitchen. Orion is also perfect for those wanting a hood with a discreet appearance.



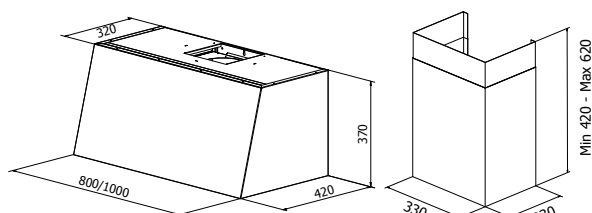
△ Our factory in Roros is equipped with state of the art laser technology that allows us precision customisation.

Grue 80/100

PRODUCT PHOTO



DIMENSIONED DRAWING



TECHNICAL INFORMATION

Energy class	A+
Extraction (m ³ /h)	191/222/289/435 (B 664)
Noise level (dBA)	34/38/44/53 (B 63)
Lighting	LED 2700-5000K
Outlet dimensions	120/150
Installation pack	125/160
Height of wall-attachment	10 mm from the top
AUX-signal	Yes

AVAILABLE OPTIONS

	Price GBP	
Brushed steel	Yes	Incl.
Any colour, gloss 35	Yes	Incl.
Any colour, matt 10	Yes	535
Any colour, high gloss 95	Yes	535
Other metals, brushed	Yes	630
Other metals, high gloss	No	-
Stove Guard PCU (optional)	Yes	300

TYPES OF VENTILATION

Duct out	Yes
Recirculation	Yes



Grue 80/100 is a stylish and popular model in 80 or 100 cm widths and can be completed with a wooden trim to match the rest of the kitchen as optional extra. It can also be made to measure and in any colour you wish. Although the hood comes without a chimney as standard, it could be added as optional extra.

PRICE LIST

Item no.	Product name	Width	Finish	Price GBP
202400	Grue SENSE Wall 80 x 37 without chimney	80 cm	Brushed steel/Colour	1 140
202100	Grue SENSE Wall 100 x 37 without chimney	100 cm	Brushed steel/Colour	1 240
9260	Installation pack	125 mm	-	35
9261	Installation pack	160 mm	-	40
8521	Longlife charcoal filter	-	-	150
9304	PCU for Stove Guard functionality	-	-	300
9245	Custom chimney height, up to 1 m	-	Brushed steel/Colour	130
9241	Custom chimney height, up to 1,8 m	-	Brushed steel/Colour	225
9310	Chimney, customisable	-	Brushed steel/Colour	125
8516	Additional charge for wooden trim*	-	Wood	325
9305	Custom height, up to 80 cm	-	Brushed steel/Colour	215
9307	Custom width, up to 130 cm	-	Brushed steel/Colour	415

If installed without a cabinet above, a chimney should also be ordered. Additional charge for matt colours, high-gloss colours, PVD copper, steel, black steel or brass in brushed finish, see page 99.

* Dimensions on request

SEE MORE ONLINE:

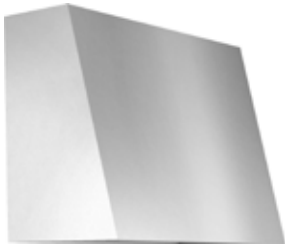


Scan code with your mobile

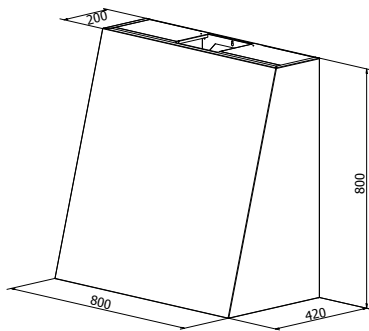


Grue 80/80

PRODUCT PHOTO



DIMENSIONED DRAWING



TECHNICAL INFORMATION

Energy class	A+
Extraction (m ³ /h)	191/222/289/435 (B 664)
Noise level (dBA)	34/38/44/53 (B 63)
Lighting	LED 2700-5000K
Outlet dimensions	120/150
Installation pack	125/160
Height of wall-attachment	10 mm from the top
AUX-signal	Yes

AVAILABLE OPTIONS

	Price GBP	
Brushed steel	Yes	Incl.
Any colour, gloss 35	Yes	Incl.
Any colour, matt 10	Yes	535
Any colour, high gloss 95	Yes	535
Other metals, brushed	Yes	630
Other metals, high gloss	No	-
Stove Guard PCU (optional)	Yes	300

TYPES OF VENTILATION

Duct out	Yes
Recirculation	Yes



Grue 80/80 is strikingly stylish with strong clean lines providing simple modern elegance. With the wide range of colours or metal finishing available, the Grue is a truly versatile designer hood, customised either as boldly sophisticated or a more elegant vintage-vibe.

PRICE LIST

Item no.	Product name	Width	Finish	Price GBP
204100	Grue SENSE Wall 80 x 80 without chimney	80 cm	Brushed steel/Colour	1 325
9260	Installation pack	125 mm	-	35
9261	Installation pack	160 mm	-	40
8521	Longlife charcoal filter	-	-	150
9304	PCU for Stove Guard functionality	-	-	300
9245	Custom chimney height, up to 1 m	-	Brushed steel/Colour	130
9241	Custom chimney height, up to 1,8 m	-	Brushed steel/Colour	225
9307	Custom width, up to 130 cm	-	Brushed steel/Colour	415

Additional charge for matt colours, high-gloss colours, PVD copper, steel, black steel or brass in brushed finish, see page 99.

SEE MORE ONLINE:



Scan code with your mobile



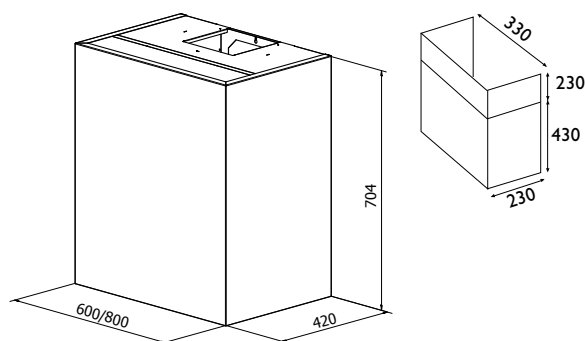
Mantica

⊕ Also available as free-hanging (page 78)

PRODUCT PHOTO



DIMENSIONED DRAWING



TECHNICAL INFORMATION

Energy class	A++/A+
Extraction (m³/h)	191/222/289/435 (B 664)
Noise level (dBA)	34/38/44/53 (B 63)
Lighting	LED 2700-5000K
Outlet dimensions	120/150
Installation pack	125/160
Height of wall-attachment	10 mm from the top
AUX-signal	Yes

AVAILABLE OPTIONS

	Price GBP	
Brushed steel	Yes	Incl.
Any colour, gloss 35	Yes	Incl.
Any colour, matt 10	Yes	535
Any colour, high gloss 95	Yes	535
Other metals, brushed	Yes	630
Other metals, high gloss	Yes	630
Stove Guard PCU (optional)	Yes	300

TYPES OF VENTILATION

Duct out	Yes
Recirculation	Yes



Mantica is one of our most popular hoods. This modern and attractive model can be installed on the wall or between cabinets, and is available in all our colours and metals. The standard widths are 60 or 80 cm, but it can also be made to measure.

PRICE LIST

Item no.	Product name	Width	Finish	Price GBP
137600	Mantica SENSE Wall 60 x 70.4	60 cm	Brushed steel/Colour	1 240
138200	Mantica SENSE Wall 80 x 70.4	80 cm	Brushed steel/Colour	1 495
9260	Installation pack	125 mm	-	35
9261	Installation pack	160 mm	-	40
8521	Longlife charcoal filter	-	-	150
9304	PCU for Stove Guard functionality	-	-	300
9330	Custom angled top	-	-	390
9310	Chimney, customisable	-	Brushed steel/Colour	125
9305	Custom height, up to 109 cm	-	Brushed steel/Colour	215
9307	Custom width, up to 100 cm	-	Brushed steel/Colour	415
9311	Custom width, up to 154 cm	-	Brushed steel/Colour	565

Additional charge for matt or high-gloss finish, PVD copper, steel, black steel or brass, in brushed or high-gloss finish, see page 99.

SEE MORE ONLINE:



Scan code with your mobile

Mantica 60 in a white lacquer finish fits beautifully into an airy kitchen.



MANTICA

SLEEK ELEGANCE

With its pure, straight lines, Mantica is perfect for those wanting a modern, elegant touch in their kitchen. Few cooker hoods offer as wide a range of options for individual customisation as Mantica: in width, height and finish. If you have a sloped ceiling in your kitchen, this model can also be built to fit. Mantica is boldly sophisticated as a free-hanging, or the more reserved option between cabinets, giving it a slick seamless aesthetic.



Why not have your hood match the handles in your kitchen? Here we see Mantica 60 in brushed brass combined with brass handles.



△ Without wall cabinets, the kitchen has a more airy feel. We think this combination of black marble and a custom-width Mantica in black lacquer is stunning.

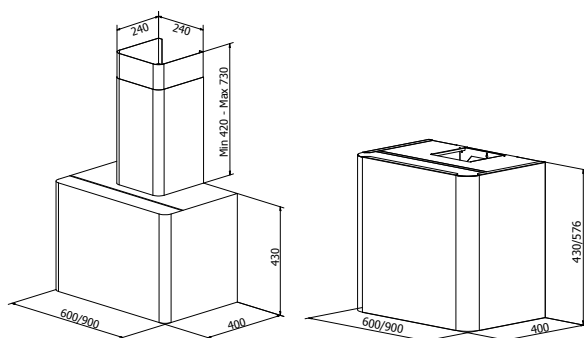
For 75 years, our employees have had a passion for quality and good artistry. Mantica is handmade at our factory in Røros.

Titan

PRODUCT PHOTO



DIMENSIONED DRAWING



TECHNICAL INFORMATION

Energy class	A++/A+
Extraction (m ³ /h)	191/222/289/435 (B 664)
Noise level (dBA)	34/38/44/53 (B 63)
Lighting	LED 2700-5000K
Outlet dimensions	120/150
Installation pack	125/160
Height of wall-attachment	10 mm from the top of the main unit
AUX-signal	Yes

AVAILABLE OPTIONS

	Price GBP	
Brushed steel	Yes	Incl.
Any colour, gloss 35	Yes	Incl.
Any colour, matt 10	Yes	535
Any colour, high gloss 95	Yes	535
Other metals, brushed	Yes	630
Other metals, high gloss	Yes	630
Stove Guard PCU (optional)	Yes	300

TYPES OF VENTILATION

Duct out	Yes
Recirculation	Yes



Titan is a modern and stylish cooker hood offering many options. It is available in standard widths of 60 or 90 cm, with or without chimney. Titan is also available in custom heights and widths, and in all our metals and colours.

PRICE LIST

Item no.	Product name	Width	Finish	Price GBP
142000	Titan SENSE Wall 60 x 43 with chimney	60 cm	Brushed steel/Colour	1 045
142300	Titan SENSE Wall 60 x 57.6 without chimney	60 cm	Brushed steel/Colour	1 025
143000	Titan SENSE Wall 90 x 43 with chimney	90 cm	Brushed steel/Colour	1 230
142900	Titan SENSE Wall 90 x 57.6 without chimney	90 cm	Brushed steel/Colour	1 210
9260	Installation pack	125 mm	-	35
9261	Installation pack	160 mm	-	40
8521	Longlife charcoal filter	-	-	150
9304	PCU for Stove Guard functionality	-	-	300
9245	Custom chimney height, up to 1 m	-	Brushed steel/Colour	130
9241	Custom chimney to measure, up to 1.8 m	-	Brushed steel/Colour	225
9242	Additional charge for angled chimney	-	-	135
9305	Custom height, up to 90 cm	-	Brushed steel/Colour	215
9307	Custom width, up to 160 cm	-	Brushed steel/Colour	415

Additional charge for matt or high-gloss finish, PVD copper, steel, black steel or brass, in brushed or high-gloss finish, see page 99.

SEE MORE ONLINE:



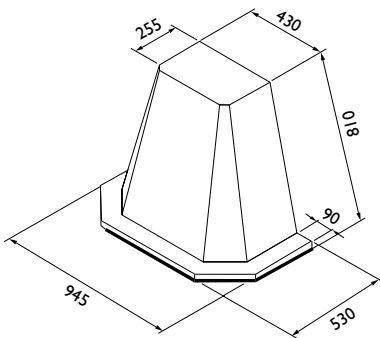
Scan code with your mobile

Harmoni

PRODUCT PHOTO



DIMENSIONED DRAWING



TECHNICAL INFORMATION

Energy class	A+
Extraction (m ³ /h)	191/222/289/435 (B 664)
Noise level (dBA)	34/38/44/53 (B 63)
Lighting	LED 2700-5000K
Outlet dimensions	120/150
Installation pack	125/160
Height of wall-attachment	10 mm from the top of the main unit
AUX-signal	Yes

AVAILABLE OPTIONS

	Price GBP	
Brushed steel	Yes	Incl.
Any colour, gloss 35	Yes	Incl.
Any colour, matt 10	Yes	535
Any colour, high gloss 95	Yes	535
Other metals, brushed	Yes	630
Other metals, high gloss	Yes	630
Stove Guard PCU (optional)	Yes	300

TYPES OF VENTILATION

Duct out	Yes
Recirculation	Yes



Harmoni is the perfect clash between modern and traditional, giving a sense of nostalgia with a modern sleek twist. This elegant hood is 95 cm wide and can be supplied in steel, or lacquered in the colour of your choice. The wooden mantel can also be lacquered in any colour to match the style of your kitchen.

PRICE LIST

Item no.	Product name	Width	Finish	Price GBP
106300	Harmoni SENSE Wall 95 x 81 with MDF mantel	94.5 cm	Brushed steel/Colour	1 395
9260	Installation pack	125 mm	-	35
9261	Installation pack	160 mm	-	40
8521	Longlife charcoal filter	-	-	150
9304	PCU for Stove Guard functionality	-	-	300

Additional charge for matt or high-gloss finish, PVD copper, steel, black steel or brass, in brushed or high-gloss finish, see page 99.

SEE MORE ONLINE:



Scan code with your mobile

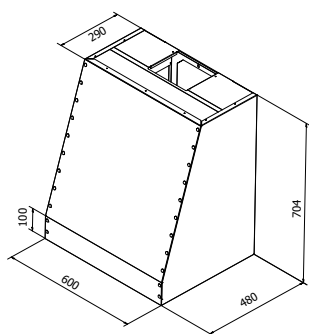


Stil

PRODUCT PHOTO



DIMENSIONED DRAWING



TECHNICAL INFORMATION

Energy class	A++
Extraction (m ³ /h)	191/222/289/435 (B 664)
Noise level (dBA)	34/38/44/53 (B 63)
Lighting	LED 2700-5000K
Outlet dimensions	120/150
Installation pack	125/160
Height of wall-attachment	10 mm from the top of the main unit
AUX-signal	Yes

AVAILABLE OPTIONS

	Price GBP	
Brushed steel	Yes	Incl.
Any colour, gloss 35	Yes	Incl.
Any colour, matt 10	Yes	535
Any colour, high gloss 95	Yes	535
Other metals, brushed	Yes	630
Other metals, high gloss	Yes	630
Stove Guard PCU (optional)	Yes	300

TYPES OF VENTILATION

Duct out	Yes
Recirculation	Yes



Stil is a classic vintage hood that's trendy and works beautifully with a farm-house kitchen or natural design. This hood suits many kitchens and can be supplied in all metals and colours. The standard width is 60 cm, but it can also be made to measure up to a width of 200 cm.

PRICE LIST

Item no.	Product name	Width	Finish	Price GBP
101200	Stil SENSE Wall 60 x 70,4	59.9 cm	Brushed steel/Colour	960
9260	Installation pack	125 mm	-	35
9261	Installation pack	160 mm	-	40
8521	Longlife charcoal filter	-	-	150
9304	PCU for Stove Guard functionality	-	-	300
9307	Custom width, up to 100 cm	-	Brushed steel/Colour	415
9311	Custom width, up to 200 cm	-	Brushed steel/Colour	565

Additional charge for matt colours, high-gloss colours, PVD copper, steel, black steel or brass brushed or high-gloss finish, see page 99.

SEE MORE ONLINE:



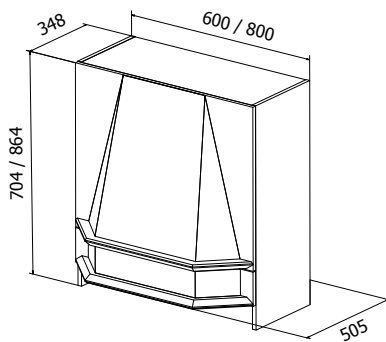
Scan code with your mobile

Symfoni

PRODUCT PHOTO



DIMENSIONED DRAWING



TECHNICAL INFORMATION

Energy class	A++/A+
Extraction (m ³ /h)	191/222/289/435 (B 664)
Noise level (dBA)	34/38/44/53 (B 63)
Lighting	LED 2700–5000K
Outlet dimensions	120/150
Installation pack	125/160
Height of wall-attachment	See mounting instructions
AUX-signal	Yes

AVAILABLE OPTIONS

	Price GBP	
Brushed steel	No	-
Any colour, gloss 35	Yes	Incl.
Any colour, matt 10	Yes	535
Any colour, high gloss 95	No	-
Other metals, brushed	No	-
Other metals, high gloss	No	-
Stove Guard PCU (optional)	Yes	300

TYPES OF VENTILATION

Duct out	Yes
Recirculation	Yes



Symfoni is the perfect hood for the kitchen that has character, especially with a sense of nostalgia, tradition or just a vintage-vibe. Symfoni is a traditional wooden hood that never goes out of fashion. We have refurbished a classic and launched a functional model in 60 and 80 cm widths. The front is top-hinged, so you can open it up, revealing useful shelves inside.

PRICE LIST

Item no.	Product name	Width	Finish	Price GBP
213100	Symfoni SENSE Wall 60 x 70.4	60 cm	MDF	1 370
213500	Symfoni SENSE Wall 60 x 70.4	60 cm	Oak	1 435
213000	Symfoni SENSE Wall 60 x 86.4	60 cm	MDF	1 380
213400	Symfoni SENSE Wall 60 x 86.4	60 cm	Oak	1 445
212900	Symfoni SENSE Wall 80 x 70.4	80 cm	MDF	1 470
213300	Symfoni SENSE Wall 80 x 70.4	80 cm	Oak	1 535
212800	Symfoni SENSE Wall 80 x 86.4	80 cm	MDF	1 480
213200	Symfoni SENSE Wall 80 x 86.4	80 cm	Oak	1 545
9260	Installation pack	125 mm	-	35
9261	Installation pack	160 mm	-	40
8521	Longlife charcoal filter	-	-	150
9304	PCU for Stove Guard functionality	-	-	300

The front is top-hinged and can be opened to reveal internal shelves.
Additional charge for matt colours, see page 99.

SEE MORE ONLINE:



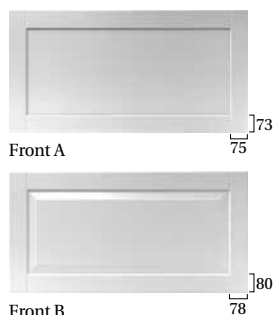
Scan code with your mobile



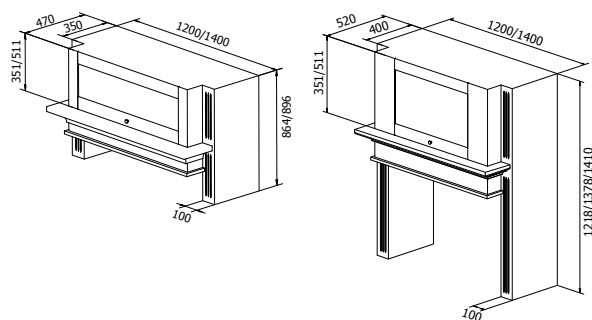
Tradisjon

⊕ Also available with alternative mantel (page 48)

PRODUCT PHOTO



DIMENSIONED DRAWING



Between wall cabinets

Down to worktop

TECHNICAL INFORMATION

Energy class	A+
Extraction (m ³ /h)	191/222/289/435 (B 664)
Noise level (dBA)	34/38/44/53 (B 63)
Lighting	LED 2700–5000K
Outlet dimensions	120/150
Installation pack	125/160
Height of wall-attachment	See mounting instructions
AUX-signal	Yes

AVAILABLE OPTIONS

		Price GBP
Brushed steel	No	-
Any colour, gloss 35	Yes	Incl.
Any colour, matt 10	Yes	535
Any colour, high gloss 95	No	-
Other metals, brushed	No	-
Other metals, high gloss	No	-
Stove Guard PCU (optional)	Yes	300

TYPES OF VENTILATION

Duct out	Yes
Recirculation	Yes



Tradisjon is a distinguished and classic model that will never go out of fashion. This is craftsmanship at its best, giving the kitchen a familiar and cosy atmosphere. It can be supplied in oak or MDF, in whatever colour and size you desire. The Tradisjon gives the impression of an integrated hood, but with much better functional delivery.

PRICE LIST

Item no.	Product name	Width	Finish	Price GBP
210000	Tradisjon SENSE 120 x 70.4 between wall cabinets	120 cm	MDF	2 385
210100	Tradisjon SENSE 120 x 86.4 between wall cabinets	120 cm	MDF	2 385
210500	Tradisjon SENSE 120 x 86.4 between wall cabinets	120 cm	Oak	2 670
212000	Tradisjon SENSE 120 x 89.6 between wall cabinets	120 cm	MDF	2 385
212400	Tradisjon SENSE 120 x 89.6 between wall cabinets	120 cm	Oak	2 670
210200	Tradisjon SENSE 120 x 121.8 down to worktop	120 cm	MDF	2 470
210300	Tradisjon SENSE 120 x 137.8 down to worktop	120 cm	MDF	2 540
212100	Tradisjon SENSE 120 x 141 down to worktop	120 cm	MDF	2 540
210900	Tradisjon SENSE 140 x 86.4 between wall cabinets	140 cm	MDF	2 480
211000	Tradisjon SENSE 140 x 121.8 down to worktop	140 cm	MDF	2 575
211100	Tradisjon SENSE 140 x 137.8 down to worktop	140 cm	MDF	2 635
211500	Tradisjon SENSE 140 x 137.8 down to worktop	140 cm	Oak	2 920

Additional charge for matt colours, see page 99.

SEE MORE ONLINE:



Scan code with your mobile

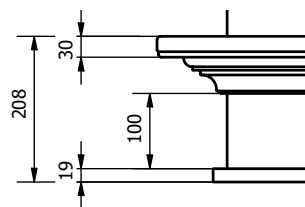




ACCESSORIES

Item no.	Product name	Width	Finish	Price GBP
9260	Installation pack	125 mm	-	35
9261	Installation pack	160 mm	-	40
8521	Longlife charcoal filter	-	-	150
9304	PCU for Stove Guard functionality	-	-	300
2151	Custom heights on beams to measure	-	MDF/Oak	350
2152	Custom widths/depths to measure	-	MDF/Oak	830
2153	Custom heights to measure	-	MDF/Oak	830

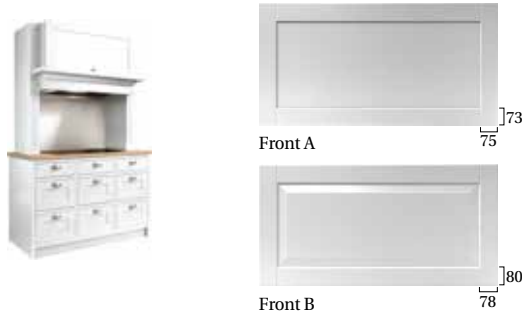
PROFILE DIMENSIONS



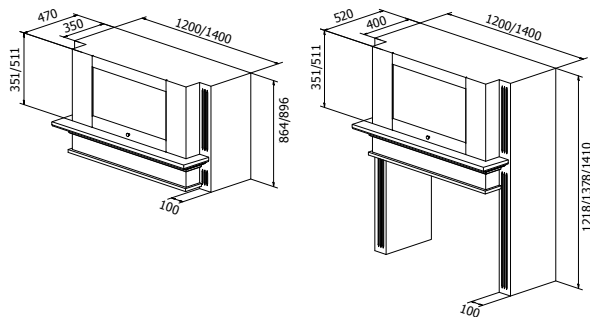
Tradisjon Exclusive

⊕ Also available with alternative mantel (page 46)

PRODUCT PHOTO



DIMENSIONED DRAWING



Between wall cabinets

Down to worktop

TECHNICAL INFORMATION

Energy class	A+
Extraction (m ³ /h)	191/222/289/435 (B 664)
Noise level (dBA)	34/38/44/53 (B 63)
Lighting	LED 2700–5000K
Outlet dimensions	120/150
Installation pack	125/160
Height of wall-attachment	See mounting instructions
AUX-signal	Yes

AVAILABLE OPTIONS

		Price GBP
Brushed steel	No	-
Any colour, gloss 35	Yes	Incl.
Any colour, matt 10	Yes	535
Any colour, high gloss 95	No	-
Other metals, brushed	No	-
Other metals, high gloss	No	-
Stove Guard PCU (optional)	Yes	300

TYPES OF VENTILATION

Duct out	Yes
Recirculation	Yes



Tradisjon Exclusive has straighter lines than Tradisjon, making it an excellent fit for kitchens with a cleaner profile. You can get this elegant model in the colour and size you want. It can be supplied in oak or MDF, in whatever colour and size you desire. The Tradisjon gives the impression of an integrated hood, but with much better functional delivery.

PRICE LIST

Item no.	Product name	Width	Finish	Price GBP
240100	Tradisjon Ex. SENSE 120 x 86.4 between wall cabinets	120 cm	MDF	1 915
240500	Tradisjon Ex. SENSE 120 x 86.4 between wall cabinets	120 cm	Oak	2 205
242000	Tradisjon Ex. SENSE 120 x 89.6 between wall cabinets	120 cm	MDF	2 150
240200	Tradisjon Ex. SENSE 120 x 121.8 down to worktop	120 cm	MDF	1 915
240300	Tradisjon Ex. SENSE 120 x 137.8 down to worktop	120 cm	MDF	1 915
240700	Tradisjon Ex. SENSE 120 x 137.8 down to worktop	120 cm	Oak	2 205
242100	Tradisjon Ex. SENSE 120 x 141 down to worktop	120 cm	MDF	2 150
242500	Tradisjon Ex. SENSE 120 x 141 down to worktop	120 cm	Oak	2 480
240900	Tradisjon Ex. SENSE 140 x 86.4 between wall cabinets	140 cm	MDF	2 115
241100	Tradisjon Ex. SENSE 140 x 137.8 down to worktop	140 cm	MDF	2 115
241500	Tradisjon Ex. SENSE 140 x 137.8 down to worktop	140 cm	Oak	2 435
242700	Tradisjon Ex. SENSE 140 x 141 down to worktop	140 cm	Oak	2 480

Additional charge for matt colours, see page 99.

SEE MORE ONLINE:



Scan code with your mobile

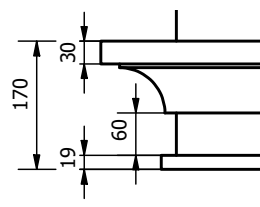




ACCESSORIES

Item no.	Product name	Width	Finish	Price GBP
9260	Installation pack	125 mm	-	35
9261	Installation pack	160 mm	-	40
8521	Longlife charcoal filter	-	-	150
9304	PCU for Stove Guard functionality	-	-	300
2151	Custom heights on beams to measure	-	MDF/Oak	350
2152	Custom widths/depths to measure	-	MDF/Oak	830
2153	Custom heights to measure	-	MDF/Oak	830

DIMENSIONED PROFILE

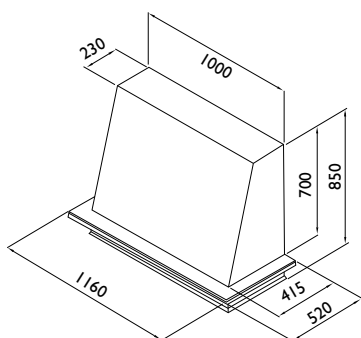


Royal

PRODUCT PHOTO



DIMENSIONED DRAWING



TECHNICAL INFORMATION

Energy class	A+
Extraction (m ³ /h)	191/222/289/435 (B 664)
Noise level (dBA)	34/38/44/53 (B 63)
Lighting	LED 2700–5000K
Outlet dimensions	120/150
Installation pack	125/160
Height of wall-attachment	See mounting instructions
AUX-signal	Yes

AVAILABLE OPTIONS

	Price GBP	
Brushed steel	Yes	Incl.
Any colour, gloss 35	Yes	Incl.
Any colour, matt 10	Yes	535
Any colour, high gloss 95	Yes	535
Other metals, brushed	Yes	630
Other metals, high gloss	Yes	630
Stove Guard PCU (optional)	Yes	300

TYPES OF VENTILATION

Duct out	Yes
Recirculation	Yes



Royal is a majestic and classic hood, suitable for those wanting that little bit extra in the kitchen. It can be supplied in any metal or the colour of your choice, and you can choose between lacquering on the entire hood or just the wooden mantel.

PRICE LIST

Item no.	Product name	Width	Finish	Price GBP
203600	Royal SENSE Wall 120 x 85 with MDF mantel	116 cm	Brushed steel/Colour	2 385
9260	Installation pack	125 mm	-	35
9261	Installation pack	160 mm	-	40
8521	Longlife charcoal filter	-	-	150
9304	PCU for Stove Guard functionality	-	-	300

Additional charge for matt colours, high-gloss colours, PVD copper, steel, black steel or brass in brushed or high-gloss finish, see page 99.

SEE MORE ONLINE:



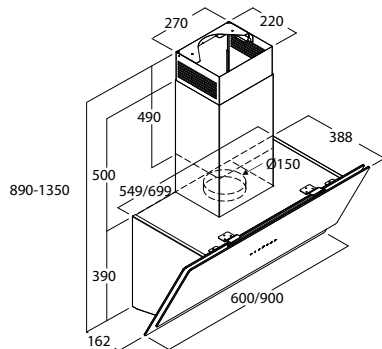
Scan code with your mobile

Leda

PRODUCT PHOTO



DIMENSIONED DRAWING



TECHNICAL INFORMATION

Energy class	A+
Extraction (m ³ /h)	330/440/580 (B 730)
Noise level (dBA)	52/57/62 (B 66)
Lighting	LED 1x7W
Outlet dimensions	120/150
Installation pack	125/160
Height of wall-attachment	320 mm from the bottom of the hood
AUX-signal	No

AVAILABLE OPTIONS

		Price GBP
Brushed steel	No	-
Any colour, gloss 35	No	-
Any colour, matt 10	No	-
Any colour, high gloss 95	No	-
Other metals, brushed	No	-
Other metals, high gloss	No	-
Stove Guard PCU (optional)	No	-

TYPES OF VENTILATION

Duct out	Yes
Recirculation	Yes



Leda is our newest vertical kitchen hood and available in black glass. Vertical hoods improve visibility to the hob and looks great. This luxury vertical hood offers a high level of normal extraction at a comfortable noise level of 62 dBA, and boost at 66 dBA. Leda comes with a chimney as standard, but can be installed without.

PRICE LIST

Item no.	Product name	Width	Finish	Price GBP
403318	Leda 60	60 cm	Black glass	1 025
210007	Leda 90	90 cm	Black glass	1 125
403261	Charcoal filter Leda	-	-	120
9260	Installation pack	125 mm	-	35
9261	Installation pack	160 mm	-	40
403269	Remote control	-	-	75

SEE MORE ONLINE:



Scan code with your mobile

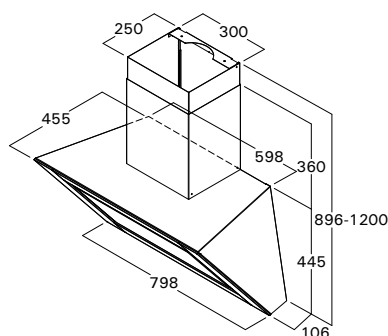


Unique

PRODUCT PHOTO



DIMENSIONED DRAWING



TECHNICAL INFORMATION

Energy class	A+
Extraction (m ³ /h)	220/320/560 (B 760)
Noise level (dBA)	42/52/62 (B 67)
Lighting	LED
Outlet dimensions	160
Installation pack	160
Height of wall-attachment	204 and 364 from the bottom of the hood
AUX-signal	Yes

AVAILABLE OPTIONS

	Price GBP	
Brushed steel	Yes	Incl.
Any colour, gloss 35	Yes*	Incl.
Any colour, matt 10	Yes*	535
Any colour, high gloss 95	Yes*	535
Other metals, brushed	No	-
Other metals, high gloss	No	-
Stove Guard PCU (optional)	No	-

TYPES OF VENTILATION

Duct out	Yes
Recirculation	Yes



Unique is a stylish vertical hood that comes with a very powerful engine that offers the highest level of extraction on boost mode. The model also has a very high normal extraction rate in comparison, and can do it at a comfortable noise level. The hood is ideal for homes with large kitchens, kitchens with open shelving, or for those who do a lot of frying or strong smelling recipes like fish or curry.

PRICE LIST

Item no.	Product name	Width	Finish	Price GBP
403060	Unique 80	80 cm	Black	1 720
403219	Unique 80	80 cm	Colour*	1 720
9261	Installation pack	160 mm	-	40
9819	Flange for charcoal filter**	-	-	50
9818	Charcoal filter	-	-	170

The hood comes standard with a matt black front, chimney and side panels.

* Side panel, mid panel and duct can be lacquered in any colour.

** Only required for first-time purchase. The chimney can be removed.

SEE MORE ONLINE:



Scan code with your mobile

A tilted hood doesn't just look stylish – it also improves your view of the hob. Unique is a good choice in airy kitchens, without wall cabinets.

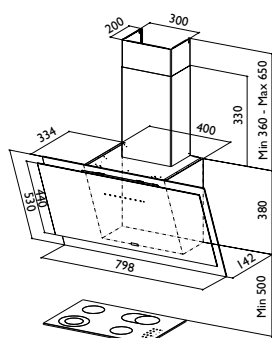


Vero

PRODUCT PHOTO



DIMENSIONED DRAWING



TECHNICAL INFORMATION

Energy class	A+
Extraction (m ³ /h)	220/380/530/620 (B 740)
Noise level (dBA)	44/57/64/68 (B 72)
Lighting	2 x LED
Outlet dimensions	120/150
Installation pack	125/160
Height of wall-attachment	382 mm from the bottom of the hood
AUX-signal	Yes

AVAILABLE OPTIONS

		Price GBP
Brushed steel	No	-
Any colour, gloss 35	No	-
Any colour, matt 10	No	-
Any colour, high gloss 95	No	-
Other metals, brushed	No	-
Other metals, high gloss	No	-
Stove Guard PCU (optional)	No	-

TYPES OF VENTILATION

Duct out	Yes
Recirculation	Yes



Vero is a beautiful tilted hood that is available in either black or white glass. The white model is supplied with a steel chimney, whereas the black hood comes with a matching chimney as standard. Vero has a reversible energy-saving motor, which allows your installer the option of ducting out from the top (vertically) or straight out the back (horizontally). The stylish design also means that the hood can be installed with or without the chimney.

PRICE LIST

Item no.	Product name	Width	Finish	Price GBP
5032	Vero 80	79.8 cm	White glass	1 290
5033	Vero 80	79.8 cm	Black glass	1 260
9260	Installation pack	125 mm	-	35
9261	Installation pack	160 mm	-	40
9251	Charcoal filter	-	-	55
9352	Metal Grid for recirculation, white*	-	White	35
9646	Metal Grid for recirculation, black*	-	Black	35
8050	Remote control	-	-	75

For recirculation, the installation of the chimney is optional but a metal grid is advised as a safety precaution to cover the duct opening. * Only required for first-time purchase. The chimney could be removed.

SEE MORE ONLINE:



Scan code with your mobile



*Glass is delicate and stylish.
Here you see Vero 80 in black.*

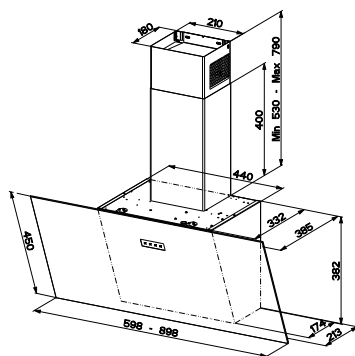


Tellus

PRODUCT PHOTO



DIMENSIONED DRAWING



TECHNICAL INFORMATION

Energy class	B
Extraction (m ³ /h)	320/490/640
Noise level (dBA)	53/63/68
Lighting	2 x LED x 1 W
Outlet dimensions	120/150
Installation pack	125/160
Height of wall-attachment	382 mm from the bottom of the hood
AUX-signal	No

AVAILABLE OPTIONS

		Price GBP
Brushed steel	No	-
Any colour, gloss 35	No	-
Any colour, matt 10	No	-
Any colour, high gloss 95	No	-
Other metals, brushed	No	-
Other metals, high gloss	No	-
Stove Guard PCU (optional)	No	-

TYPES OF VENTILATION

Duct out	Yes
Recirculation	Yes



Tellus is a budget friendly style hood that offers powerful ventilation and a modern look. The hood comes with a chimney as standard, although it could be installed without. It is available in 60 and 90 cm standard width, with the choice of steel, white or black finish.

PRICE LIST

Item no.	Product name	Width	Finish	Price GBP
5114	Tellus 60	58,8 cm	Steel	505
5110	Tellus 60	59,8 cm	White	400
5112	Tellus 60	59,8 cm	Black	400
5115	Tellus 90	89,8 cm	Steel	565
5111	Tellus 90	89,8 cm	White	435
5113	Tellus 90	89,8 cm	Black	435
9260	Installation pack	125 mm	-	35
9261	Installation pack	160 mm	-	40
9014	Charcoal filter	-	-	65

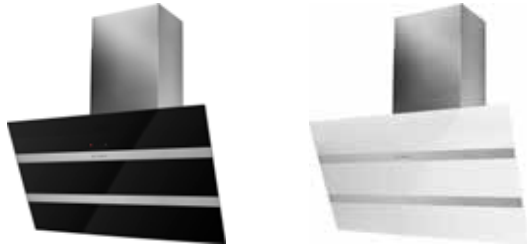
SEE MORE ONLINE:



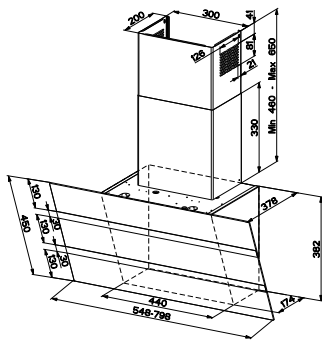
Scan code with your mobile

Argo

PRODUCT PHOTO



DIMENSIONED DRAWING



TECHNICAL INFORMATION

Energy class	A+
Extraction (m ³ /h)	310/420/580 (B 720)
Noise level (dBA)	52/56/62 (B 65)
Lighting	2 x LED
Outlet dimensions	120/150
Installation pack	125/160
Height of wall-attachment	338 mm from the bottom of the hood
AUX-signal	No

AVAILABLE OPTIONS

		Price GBP
Brushed steel	No	-
Any colour, gloss 35	No	-
Any colour, matt 10	No	-
Any colour, high gloss 95	No	-
Other metals, brushed	No	-
Other metals, high gloss	No	-
Stove Guard PCU (optional)	No	-

TYPES OF VENTILATION

Duct out	Yes
Recirculation	Yes



Argo has with fashionable style, powerful extraction at a low noise, along with an economical energy rating, it's easy to understand why Argo is so popular. The dimensions are slightly narrower than most hoods, which makes it the preferred choice for between cabinets. It can be installed with or without the chimney and ducting is simplified by a reversible motor, which allows the installer to duct to the top, or directly to the back (horizontally).

PRICE LIST

Item no.	Product name	Width	Finish	Price GBP
5081	Argo 55	54,8 cm	Black glass	740
5083	Argo 55	54,8 cm	White glass	740
5082	Argo 80	79,8 cm	Black glass	820
5084	Argo 80	79,8 cm	White glass	820
9260	Installation pack	125 mm	-	35
9261	Installation pack	160 mm	-	40
9251	Charcoal filter	-	-	55
9352	Metal Grid for recirculation, white*	-	White	35
9646	Metal Grid for recirculation, black*	-	Black	35

Always supplied with steel chimney.
For recirculation, the installation of the chimney is optional but a metal grid is advised as a safety precaution to cover the duct opening.
* Only required for first-time purchase.

SEE MORE ONLINE:



Scan code with your mobile



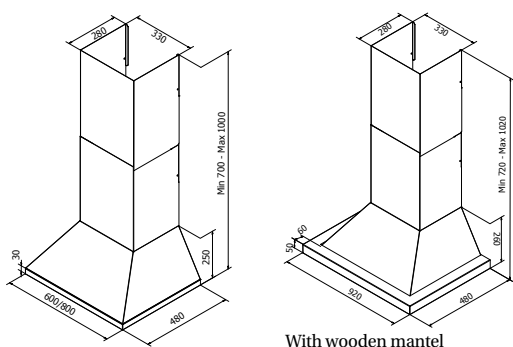
Pyramide

⊕ Also available as free-hanging (page 81)

PRODUCT PHOTO



DIMENSIONED DRAWING



With wooden mantel

TECHNICAL INFORMATION

Energy class	A++/A+
Extraction (m ³ /h)	191/222/289/435 (B 664)
Noise level (dBA)	34/38/44/53 (B 63)
Lighting	LED 2700–5000K
Outlet dimensions	120/150
Installation pack	125/160
Height of wall-attachment	410 mm from bottom of the hood
AUX-signal	Yes

AVAILABLE OPTIONS

	Price GBP	
Brushed steel	Yes	Incl.
Any colour, gloss 35	Yes	Incl.
Any colour, matt 10	Yes	535
Any colour, high gloss 95	Yes	535
Other metals, brushed	Yes	630
Other metals, high gloss	No	-
Stove Guard PCU (optional)	Yes	300

TYPES OF VENTILATION

Duct out	Yes
Recirculation	Yes



Pyramide is a classic model with excellent customisation opportunities. It is available in 60 and 80 cm widths as standard, or the Rubin model which has a 90 cm width and includes a wooden trim to match your kitchen units. The hood can be supplied in brushed steel, black steel, copper, brass or any colour of your choice.

PRICE LIST

Item no.	Product name	Width	Finish	Price GBP
132000	Pyramide SENSE Wall 60 x 25	60 cm	Brushed steel/Colour	970
182000	Pyramide SENSE Wall 80 x 25	80 cm	Brushed steel/Colour	1 095
320500	Rubin SENSE Wall 90 x 26	92 cm	Brushed steel/Colour	1 680
9260	Installation pack	125 mm	-	35
9261	Installation pack	160 mm	-	40
8521	Longlife charcoal filter	-	-	150
9304	PCU for Stove Guard functionality	-	-	300
9245	Custom chimney height, up to 1 m	-	-	130
9241	Custom chimney to measure, up to 1.8 m length	-	-	225
9242	Additional charge for angled chimney	-	-	135

Additional charge for matt colours, PVD copper, steel, black steel or brass in brushed finish, see page 99.

SEE MORE ONLINE:



Scan code with your mobile



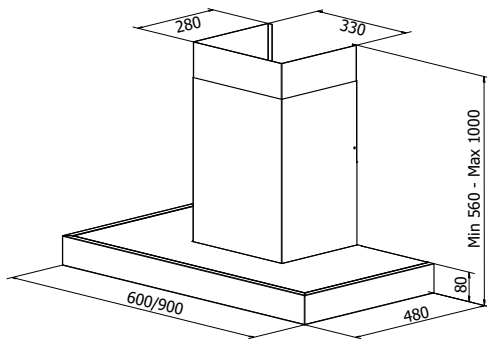
Hera

⊕ Also available as free-hanging (page 82)

PRODUCT PHOTO



DIMENSIONED DRAWING



TECHNICAL INFORMATION

Energy class	A++/A+
Extraction (m ³ /h)	191/222/289/435 (B 664)
Noise level (dBA)	34/38/44/53 (B 63)
Lighting	LED 2700–5000K
Outlet dimensions	120/150
Installation pack	125/160
Height of wall-attachment	395 mm from bottom of the hood
AUX-signal	Yes

AVAILABLE OPTIONS

	Price GBP	
Brushed steel	Yes	Incl.
Any colour, gloss 35	Yes	Incl.
Any colour, matt 10	Yes	535
Any colour, high gloss 95	Yes	535
Other metals, brushed	Yes	630
Other metals, high gloss	No	-
Stove Guard PCU (optional)	Yes	300

TYPES OF VENTILATION

Duct out	Yes
Recirculation	Yes



Hera is a traditional T-shape hood, but with a modern twist, allowing complete customisation for a truly bespoke finish, as well as world-class SENSE technology. With Hera you can truly set your imagination free, as it's not only available in all our colours and metal finishes, but you can also have the bottom trim with a wooden finish. Additionally, you could extend the trim horizontally to act as a shelf.

PRICE LIST

Item no.	Product name	Width	Finish	Price GBP
195200	Hera SENSE Wall 60 x 8	60 cm	Brushed steel/Colour	1 335
195300	Hera SENSE Wall 60 x 8 with wood	60 cm	With wood	1 540
195600	Hera SENSE Wall 90 x 8	90 cm	Brushed steel/Colour	1 625
195700	Hera SENSE Wall 90 x 8 with wood	90 cm	With wood	1 710
9260	Installation pack	125 mm	-	35
9261	Installation pack	160 mm	-	40
8521	Longlife charcoal filter	-	-	150
9304	PCU for Stove Guard functionality	-	-	300
9245	Custom chimney height, up to 1 m	-	-	130
9241	Custom chimney to measure, up to 1.8 m length	-	-	225
9242	Additional charge for angled chimney	-	-	135
9300	Additional charge for extended shelf, up to 60 cm	-	-	300
9301	Additional charge for extended shelf, up to 120 cm	-	-	525

Can be supplied with wooden mantel.
Additional charge for matt colours, PVD copper, steel, black steel or brass in brushed finish, see page 99.

SEE MORE ONLINE:



Scan code with your mobile

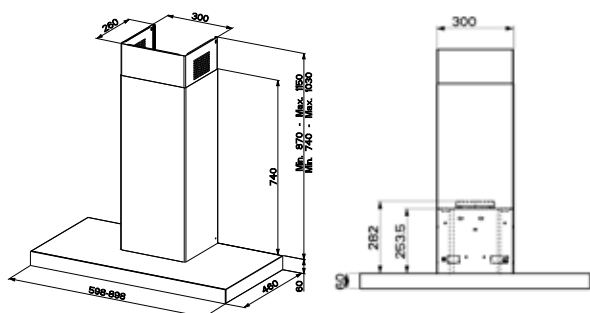


Merkur

PRODUCT PHOTO



DIMENSIONED DRAWING



TECHNICAL INFORMATION

Energy class	A+
Extraction (m ³ /h)	260/330/415 (B 720)
Noise level (dBA)	53/57/61 (B 72)
Lighting	2 x LED x 2 W
Outlet dimensions	120/150
Installation pack	125/160
Height of wall-attachment	320 mm from the bottom of the hood
AUX-signal	No

AVAILABLE OPTIONS

		Price GBP
Brushed steel	No	-
Any colour, gloss 35	No	-
Any colour, matt 10	No	-
Any colour, high gloss 95	No	-
Other metals, brushed	No	-
Other metals, high gloss	No	-
Stove Guard PCU (optional)	No	-

TYPES OF VENTILATION

Duct out	Yes
Recirculation	Yes



Merkur has clean straight lines with a traditional T-shaped shape, with a black steel finish that gives it real elegance and makes it a great choice for the modern kitchen. Merkur is available in a width of 60 or 90 cm. The black hood contrasts beautifully with a lighter coloured kitchen, or with matching black appliances.

PRICE LIST

Item no.	Product name	Width	Finish	Price GBP
5095	Merkur 60	59.8 cm	Black Steel	710
5096	Merkur 90	89.8 cm	Black Steel	755
9260	Installation pack	125 mm	-	35
9261	Installation pack	160 mm	-	40
9013	Charcoal filter	-	-	65
8050	Remote control	-	-	75

SEE MORE ONLINE:



Scan code with your mobile

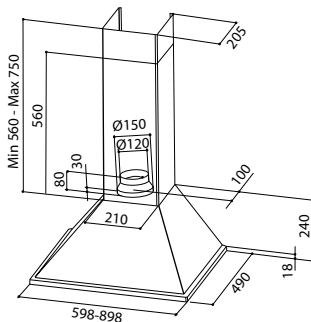


Vega

PRODUCT PHOTO



DIMENSIONED DRAWING



TECHNICAL INFORMATION

Energy class	B
Extraction (m ³ /h)	260/390/560
Noise level (dBA)	53/63/70
Lighting	2 x LED
Outlet dimensions	120/150
Installation pack	125/160
Height of wall-attachment	210 mm from the bottom of the hood
AUX-signal	No

AVAILABLE OPTIONS

	Price GBP	
Brushed steel	Yes	Incl.
Any colour, gloss 35	No	-
Any colour, matt 10	No	-
Any colour, high gloss 95	No	-
Other metals, brushed	No	-
Other metals, high gloss	No	-
Stove Guard PCU (optional)	No	-

TYPES OF VENTILATION

Duct out	Yes
Recirculation	Yes



Vega is a traditional, classic wall-mounted stainless-steel cooker hood that fits in elegantly in many kitchens. It is available in both 60 and 90 cm widths, and is installed on the wall.

PRICE LIST

Item no.	Product name	Width	Finish	Price GBP
5071	Vega 60	59.8 cm	Steel	530
5072	Vega 90	89.8 cm	Steel	595
9260	Installation pack	125 mm	-	35
9261	Installation pack	160 mm	-	40
9251	Charcoal filter	-	-	55
9202	Chimney extension*	-	Steel	185

* If extending the chimney, the maximum ceiling height is 330 cm.

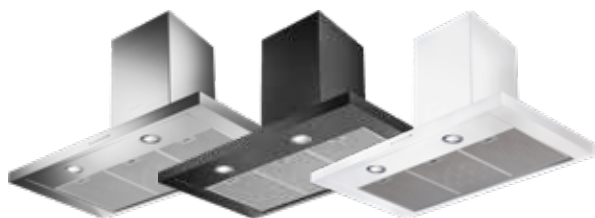
SEE MORE ONLINE:



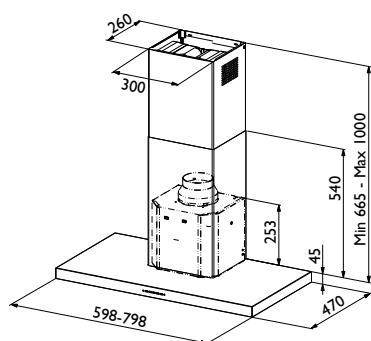
Scan code with your mobile

Lyra

PRODUCT PHOTO



DIMENSIONED DRAWING



TECHNICAL INFORMATION

Energy class	B
Extraction (m ³ /h)	300/460/620 (B 700)
Noise level (dBA)	52/62/69 (B71)
Lighting	2 x LED
Outlet dimensions	120/150
Installation pack	125/160
Height of wall-attachment	320 mm from the bottom of the hood
AUX-signal	No

AVAILABLE OPTIONS

	Price GBP	
Brushed steel	Yes	Incl.
Any colour, gloss 35	No	-
Any colour, matt 10	No	-
Any colour, high gloss 95	No	-
Other metals, brushed	No	-
Other metals, high gloss	No	-
Stove Guard PCU (optional)	No	-

TYPES OF VENTILATION

Duct out	Yes
Recirculation	Yes



Lyra is a modern and attractive T-shaped hood. It fits elegantly into many kitchen designs, and is available in steel, black and white finishes. Lyra comes in both 60 and 80 cm widths, and also has a remote control as an additional add-on.

PRICE LIST

Item no.	Product name	Width	Finish	Price GBP
5073	Lyra 60	59.8 cm	Steel	555
5078	Lyra 60	59.8 cm	White	590
5085	Lyra 60	59.8 cm	Black	695
5074	Lyra 80	79.8 cm	Steel	635
5079	Lyra 80	79.8 cm	White	660
5086	Lyra 80	79.8 cm	Black	715
9260	Installation pack	125 mm	-	35
9261	Installation pack	160 mm	-	40
9250	Charcoal filter	-	-	55
9206	Chimney extension*	-	Steel	185
8050	Remote control	-	-	75

* If extending the chimney, the maximum ceiling height is 330 cm.

SEE MORE ONLINE:



Scan code with your mobile

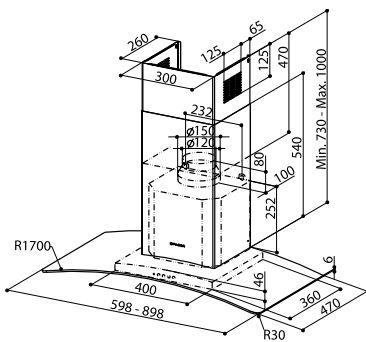


Helios

PRODUCT PHOTO



DIMENSIONED DRAWING



TECHNICAL INFORMATION

Energy class	A
Extraction (m ³ /h)	300/410/570/ (B 700)
Noise level (dBA)	53/60/68 (B 72)
Lighting	2 x LED
Outlet dimensions	120/150
Installation pack	125/160
Height of wall-attachment	250 mm from the bottom of the hood
AUX-signal	No

AVAILABLE OPTIONS

Price GBP

Brushed steel	Yes	Incl.
Any colour, gloss 35	No	-
Any colour, matt 10	No	-
Any colour, high gloss 95	No	-
Other metals, brushed	No	-
Other metals, high gloss	No	-
Stove Guard PCU (optional)	No	-

TYPES OF VENTILATION

Duct out	Yes
Recirculation	Yes



Helios is a classic cooker hood with curved glass that is installed on the wall. The curved glass gives a delicate, elegant effect, and is available in 60 and 90 cm widths. Helios is available in steel or black finishes.

PRICE LIST

Item no.	Product name	Width	Finish	Price GBP
5090	Helios 60	59.8 cm	Steel/Glass	560
5091	Helios 60	59.8 cm	Black/Glass	580
5092	Helios 90	89.8 cm	Steel/Glass	640
5093	Helios 90	89.8 cm	Black/Glass	670
9260	Installation pack	125 mm	-	35
9261	Installation pack	160 mm	-	40
9250	Charcoal filter	-	-	55
9206	Chimney extension*	-	Steel	185

* If extending the chimney, the maximum ceiling height is 330 cm.

SEE MORE ONLINE:



Scan code with your mobile

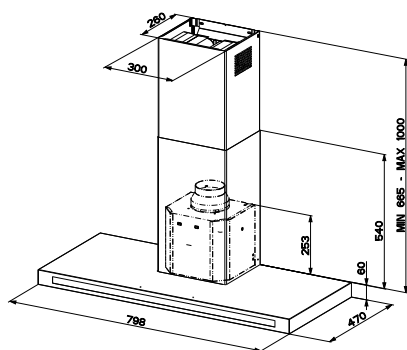
Flora

⊕ Also available as free-hanging (page 83)

PRODUCT PHOTO



DIMENSIONED DRAWING



TECHNICAL INFORMATION

Energy class	A+
Extraction (m ³ /h)	300/420/580 (B 700)
Noise level (dBA)	52/59/66 (B 69)
Lighting	2 x LED
Outlet dimensions	125
Installation pack	125
Height of wall-attachment	313 mm from the bottom of the hood
AUX-signal	No

AVAILABLE OPTIONS

	Price GBP	
Brushed steel	Yes	Incl.
Any colour, gloss 35	No	-
Any colour, matt 10	No	-
Any colour, high gloss 95	No	-
Other metals, brushed	No	-
Other metals, high gloss	No	-
Stove Guard PCU (optional)	No	-

TYPES OF VENTILATION

Duct out	Yes
Recirculation	Yes



Flora is an excellent choice as a T-shape with high level extraction at a comfortable noise output and with its energy efficiency, it's a very economical model to run.

PRICE LIST

Item no.	Product name	Width	Finish	Price GBP
5087	Flora 80	79.8 cm	Steel/Black glass	875
9260	Installation pack	125 mm	-	35
9250	Charcoal filter	-	-	55
9206	Chimney extension*	-	Steel	185

* If extending the chimney, the maximum ceiling height is 300 cm.

SEE MORE ONLINE:



Scan code with your mobile

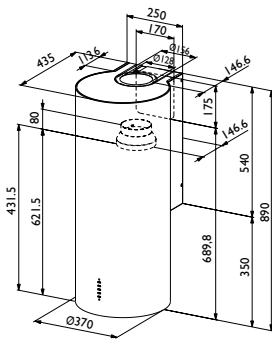
Cilindro

⊕ Also available as free-hanging (page 80)

PRODUCT PHOTO



DIMENSIONED DRAWING



TECHNICAL INFORMATION

Energy class	C
Extraction (m ³ /h)	235/370/510/615
Noise level (dBA)	48/57/64/68
Lighting	2 x LED
Outlet dimensions	120/150
Installation pack	125/160
Height of wall-attachment	475 and 865 from the bottom of the hood
AUX-signal	No

AVAILABLE OPTIONS

	Price GBP	
Brushed steel	Yes	Incl.
Any colour, gloss 35	Yes	Incl.
Any colour, matt 10	Yes	535
Any colour, high gloss 95	Yes	535
Other metals, brushed	No	-
Other metals, high gloss	No	-
Stove Guard PCU (optional)	No	-

TYPES OF VENTILATION

Duct out	Yes
Recirculation	Yes



Cilindro is a stylish cylindrical hood that gives your kitchen a classy designer effect. It is available in steel or lacquered in the colour of your choice. If your hob is wider than 60 cm, we recommend hanging two Cilindros side by side for effective extraction and an amazing look. Cilindro can also be supplied with a glass plate for better odour capture.

PRICE LIST

Item no.	Product name	Width	Finish	Price GBP
5004	Cilindro 37	37 cm	Steel	1 105
5017	Cilindro 37	37 cm	White	1 255
5024	Cilindro 37	37 cm	Other colours	1 485
5020	Glass plate, W=90 cm, D=52 cm*	-	Glass	480
9260	Installation pack	125 mm	-	35
9261	Installation pack	160 mm	-	40
9250	Charcoal filter	-	-	55
8050	Remote control	-	-	75

* The ring below the glass plate is in steel only.

SEE MORE ONLINE:




Scan code with your mobile



03



DOWNDRAFT AND COMBOHOBS



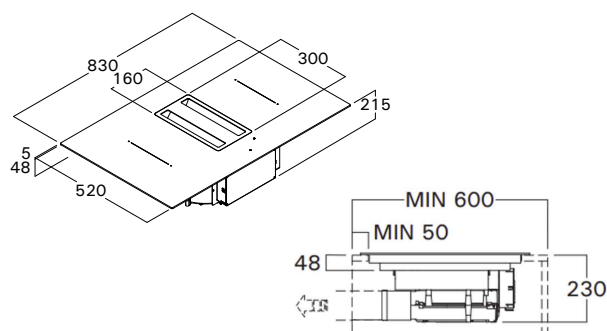
Sometimes a cooker hood can be a pain in the head - literally! A combohob or downdraft extractor means no bumping of heads and good visibility of your cooking, and in particular complements and island or in a open kitchen layout.

Elegant

PRODUCT PHOTO



DIMENSIONED DRAWING



TECHNICAL INFORMATION

Energy class	A++
Extraction m ³ /h	220-480 (B1 550, B2 650)
Noise level (dBA)	45-64 (B1 67, B2 70)
Outlet dimensions	220x90/220x60
Cooking zones	4x2100-3000 W
Size cooking zones	22-24 cm
Nr of speeds	8 + 2 Boost
AUX-signal	No

TYPES OF VENTILATION

Duct out	Yes
Recirculation	Yes

PROPERTIES OF COMBOHOB

Touch panel/colour	White
Nr. of power steps	9 + Power
Flexible cooking zones	Yes
Bridge function	Manual
Stop & Go	Yes
Child lock function	Yes
Timer functionality	Yes
Automatic cooking	No
Keep warm function	Yes
Grill function	No



Elegant combines the functionality of hob and hood in an integrated sleek and slim-fit design leaving ample cabinet space. With powerful bridging cooking zones, Elegant also avoids moisture build-up by extracting outside of the cabinet. With unique intuitive controls, all the important functions are controlled by a single touch. The quiet motor means that it is barely audible and with the ease of cleaning and spill-catcher, it allows for a comfort and hassle-free kitchen.

PRICE LIST

Item no.	Product name	Width	Finish	Price GBP
210003	Elegant	83 cm	Black glass	2 660
210008	Recirculation kit Elegant	-	-	265
210009	Long life ceramic filter Elegant	-	-	110

SEE MORE ONLINE:



Scan code with your mobile

*Open up more
space in your kitchen
with a combohob.*



04



ISLAND HOODS

+ INTEGRATED IN THE CEILING

A blue-tinted photograph of a modern building with a balcony. A rectangular island hood is suspended from the ceiling by thin wires. The building has a corrugated metal facade and a balcony with a railing. The background is a clear blue sky.

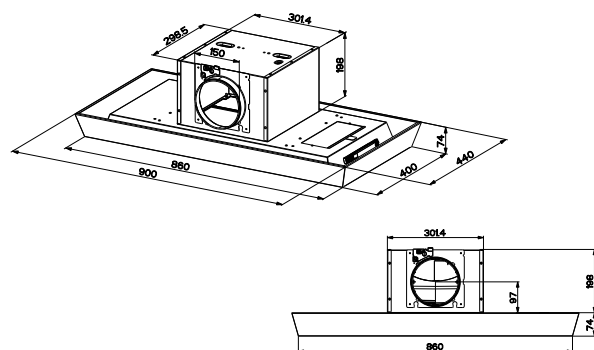
An island hood is a wonderful decorative feature in an open plan, or large kitchen. Whether you prefer an eye-catching or a more discreet ceiling-mounted hood, our island hoods combine smart design and optimal indoor air quality. Plus, our cooker hoods are silent, allowing you to cook and listen to music or watch TV at the same time.

Vision

PRODUCT PHOTO



DIMENSIONED DRAWING



TECHNICAL INFORMATION

Energy class	C
Extraction (m ³ /h)	300/460/580/640
Noise level (dBA)	53/63/68/70
Lighting	2 x LED x 2 W
Outlet dimensions	120/150
Installation pack	125/160
AUX-signal	No

AVAILABLE OPTIONS

	Price GBP	
Brushed steel	Yes	Incl.
Any colour, gloss 35	No	-
Any colour, matt 10	No	-
Any colour, high gloss 95	No	-
Other metals, brushed	No	-
Other metals, high gloss	No	-
Stove Guard PCU (optional)	No	-

TYPES OF VENTILATION

Duct out	Yes
Recirculation	Yes



Vision is a powerful ceiling hood that discretely removes the odours and vapours while you cook. One of the biggest benefits of Vision is that it fits between ceiling joists, which removes the need for special installation solutions or suspended ceilings, something you would find with most other ceiling hoods. The hood also has an e-installation video that makes installation simple and straightforward. The hood comes with remote control included as standard.

PRICE LIST

Item no.	Product name	Width	Finish	Price GBP
5043	Vision ceiling hood	90 cm	Steel	1 645
9260	Installation pack	125 mm	-	35
9261	Installation pack	160 mm	-	40
9012	Charcoal filter	-	-	60
8050	Remote control	-	-	75



SEE MORE ONLINE:



Scan code with your mobile

INSTALLATION VIDEO:



Scan code with your mobile

Vision fits between standard ceiling joists both parallel or perpendicular, giving you more freedom with the design of your island.



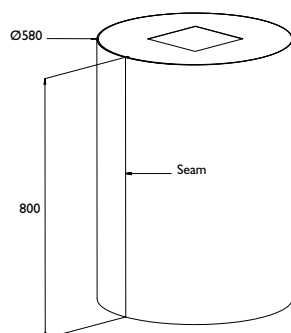
Luna

⊕ Also available as wall-mounted (page 22)

PRODUCT PHOTO



DIMENSIONED DRAWING



TECHNICAL INFORMATION

Energy class	A++
Extraction (m ³ /h)	191/222/289/435 (B 664)
Noise level (dBA)	34/38/44/53 (B 63)
Lighting	LED 2700–5000K
Outlet dimensions	120/150
Installation pack	125/160
AUX-signal	Yes

AVAILABLE OPTIONS

	Price GBP	
Brushed steel	Yes	Incl.
Any colour, gloss 35	Yes	Incl.
Any colour, matt 10	Yes	535
Any colour, high gloss 95	Yes	535
Other metals, brushed	Yes	630
Other metals, high gloss	Yes	630
Stove Guard PCU (optional)	Yes	300

TYPES OF VENTILATION

Duct out	Yes
Recirculation	Yes



Luna island model is an awe-inspiring feature that works beautifully in both contemporary and modern kitchens, bringing a fresh elegance and energy to the space with a truly bespoke designer finish. The hood can be customised in both dimensions and colour, or finish to suit the overall layout and design of the kitchen.

PRICE LIST

Item no.	Product name	Width	Finish	Price GBP
322000	Luna SENSE Island 58 x 80	58 cm	Brushed steel/Colour	1 940
9260	Installation pack	125 mm	-	35
9261	Installation pack	160 mm	-	40
8521	Longlife charcoal filter	-	-	150
9304	PCU for Stove Guard functionality	-	-	300
9305	Custom height, up to 105 cm	-	Brushed steel/Colour	215

Additional charge for matt or high-gloss finish, PVD copper, steel, black steel or brass, in brushed or high-gloss finish, see page 99. This model has a seam running down one side. You can specify whether the seam should be on the right or the left to make it less visible in the room, and we will adjust the motor and controls inside.

SEE MORE ONLINE:



Scan code with your mobile





The combination of black with brass gives an exclusive feel. Here we see Luna Island in brass.

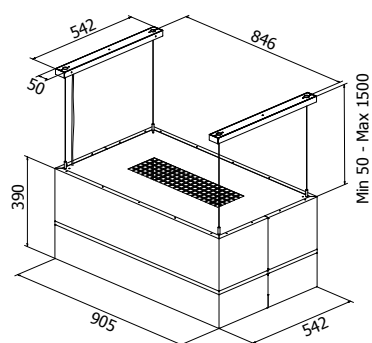
Stripe

⊕ Also available as wall-mounted (page 28)

PRODUCT PHOTO



DIMENSIONED DRAWING



TECHNICAL INFORMATION

Energy class	A+
Extraction (m ³ /h)	191/222/289/435 (B 664)
Noise level (dBA)	34/38/44/53 (B 63)
Lighting	4 x LED
Outlet dimensions	-
Installation pack	-
AUX-signal	Yes

AVAILABLE OPTIONS

	Price GBP	
Brushed steel	Yes	Incl.
Any colour, gloss 35	Yes	Incl.
Any colour, matt 10	Yes	535
Any colour, high gloss 95	Yes	535
Other metals, brushed	Yes	630
Other metals, high gloss	No	-
Stove Guard PCU (optional)	Yes	300

TYPES OF VENTILATION

Duct out	No
Recirculation	Yes



Stripe is one of our newest additions to our range, and very trendy. This hood is produced in steel and can be supplied in any colour, with a decorative strip in any PVD metal or in the colour of your choice. As a free-hanging hood, it's only suitable for recirculation, but the state of the art long-life monoblock filter means that you don't need to change the filter for up to 5 years (900 hours of cooking).

PRICE LIST

Item no.	Product name	Width	Finish	Price GBP
209500	Stripe SENSE Island 90	90.5 cm	Brushed steel/Colour	1 850
8521	Longlife charcoal filter	-	-	150
9304	PCU for Stove Guard functionality	-	-	300

Additional charge for matt or high-gloss finish, PVD copper, steel, black steel or brass, in brushed finish, see page 99.
The decorative strip can be supplied in the PVD metal or any colour at no extra charge.
Longlife charcoal filter is included with the first purchase.

SEE MORE ONLINE:



Scan code with your mobile



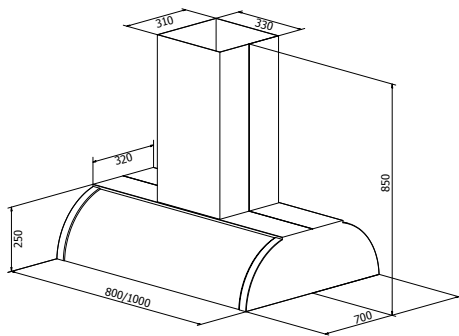
Cetus

⊕ Also available as wall-mounted (page 29)

PRODUCT PHOTO



DIMENSIONED DRAWING



TECHNICAL INFORMATION

Energy class	A+
Extraction (m ³ /h)	191/222/289/435 (B 664)
Noise level (dBA)	34/38/44/53 (B 63)
Lighting	LED 2700–5000K
Outlet dimensions	120/150
Installation pack	125/160
AUX-signal	Yes

AVAILABLE OPTIONS

		Price GBP
Brushed steel	Yes	Incl.
Any colour, gloss 35	Yes	Incl.
Any colour, matt 10	Yes	535
Any colour, high gloss 95	Yes	535
Other metals, brushed	Yes	630
Other metals, high gloss	Yes	630
Stove Guard PCU (optional)	Yes	300

TYPES OF VENTILATION

Duct out	Yes
Recirculation	Yes



Cetus is a new edition to the range, that allows the possibility of a sleek modern look, or a vintage farmhouse feel, depending on your choice of colour/metal finishing. The strips can be custom coloured as well, or have a metal finish to break up the lines and give a two-tone effect to the design.

PRICE LIST

Item no.	Product name	Width	Finish	Price GBP
315100	Cetus SENSE Island 80 x 25	80 cm	Brushed steel/Colour	1 440
315400	Cetus SENSE Island 100 x 25	100 cm	Brushed steel/Colour	1 485
9260	Installation pack	125 mm	-	35
9261	Installation pack	160 mm	-	40
8521	Longlife charcoal filter	-	-	150
9304	PCU for Stove Guard functionality	-	-	300
9243	Custom chimney height, up to 1 m	-	Brushed steel/Colour	180
9244	Custom chimney to measure, up to 1.8 m length	-	Brushed steel/Colour	325
9246	Additional charge for angled chimney	-	-	160

Side strips can be supplied in the colour or PVD metal of your choice at no extra charge. Additional charge for matt colours, high-gloss colours, PVD copper, steel, black steel or brass in brushed or high-gloss finish, see page 99.

SEE MORE ONLINE:



Scan code with your mobile



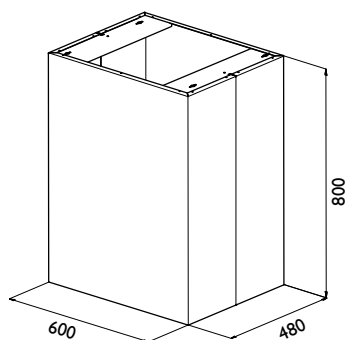
Mantica

⊕ Also available as wall-mounted (page 38)

PRODUCT PHOTO



DIMENSIONED DRAWING



TECHNICAL INFORMATION

Energy class	A++
Extraction (m ³ /h)	191/222/289/435 (B 664)
Noise level (dBA)	34/38/44/53 (B 63)
Lighting	LED 2700–5000K
Outlet dimensions	120/150
Installation pack	125/160
AUX-signal	Yes

AVAILABLE OPTIONS

	Price GBP	
Brushed steel	Yes	Incl.
Any colour, gloss 35	Yes	Incl.
Any colour, matt 10	Yes	535
Any colour, high gloss 95	Yes	535
Other metals, brushed	Yes	630
Other metals, high gloss	Yes	630
Stove Guard PCU (optional)	Yes	300

TYPES OF VENTILATION

Duct out	Yes
Recirculation	Yes



Mantica is a modern cooker hood and one of our most popular models. It can be supplied in any of our colours and metals, including high-gloss finishes. Mantica can be made to measure, and can be angled to fit sloping ceilings. The sleek lines, linear flow and premium quality, result in a truly unrivalled modern aesthetic.

PRICE LIST

Item no.	Product name	Width	Finish	Price GBP
331500	Mantica SENSE Island 60 x 80	60 cm	Brushed steel/Colour	1 800
9260	Installation pack	125 mm	-	35
9261	Installation pack	160 mm	-	40
8521	Longlife charcoal filter	-	-	150
9304	PCU for Stove Guard functionality	-	-	300
9305	Custom height, up to 105 cm	-	Brushed steel/Colour	215
9307	Custom width, up to 154 cm	-	Brushed steel/Colour	415
9330	Custom angled top	-	-	390

Additional charge for matt colours, high-gloss colours, PVD copper, steel, black steel or brass in brushed or high-gloss finish, see page 99.

SEE MORE ONLINE:



Scan code with your mobile



There are few things more timeless and elegant than the combination of black and white. Mantica 60 colour matched for this perfectly balanced kitchen.



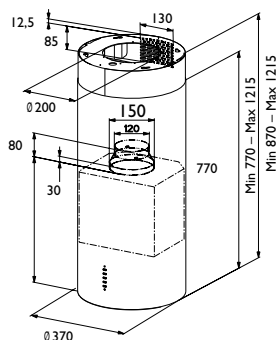
Cilindro

⊕ Also available as wall-mounted (page 65)

PRODUCT PHOTO



DIMENSIONED DRAWING



TECHNICAL INFORMATION

Energy class	C
Extraction (m ³ /h)	335/500/575 (B 650)
Noise level (dBA)	50/60/63 (B 66)
Lighting	2 x LED
Outlet dimensions	120/150
Installation pack	125/160
AUX-signal	No

AVAILABLE OPTIONS

	Price GBP	
Brushed steel	Yes	Incl.
Any colour, gloss 35	Yes	Incl.
Any colour, matt 10	Yes	535
Any colour, high gloss 95	Yes	535
Other metals, brushed	No	-
Other metals, high gloss	No	-
Stove Guard PCU (optional)	No	-

TYPES OF VENTILATION

Duct out	Yes
Recirculation	Yes



Cilindro with its cylindrical shape, is a cooker hood that is a real eye-catcher in the kitchen. It is available in steel or lacquered in the colour of your choice. If you have a wide hob, we recommend hanging two Cilindros side by side. Cilindro can be supplied with a glass plate for better odour capture.

PRICE LIST

Item no.	Product name	Width	Finish	Price GBP
5003	Cilindro 37	37 cm	Steel	1 365
5018	Cilindro 37	37 cm	White	1 480
5019	Cilindro 37	37 cm	Other colours	1 720
5021	Glass plate, W=90 cm, D=65 cm*	-	Glass	480
9260	Installation pack	125 mm	-	35
9261	Installation pack	160 mm	-	40
9250	Charcoal filter	-	-	55
8050	Remote control	-	-	75
9225	Extension duct, max. ceiling height 330	-	Steel	655
9342	Extension duct, max. ceiling height 330	-	White/other colours	655

* The ring below the glass plate is in steel only.

SEE MORE ONLINE:



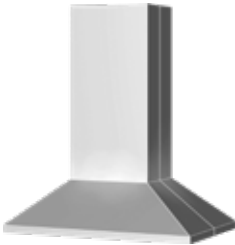
Scan code with your mobile



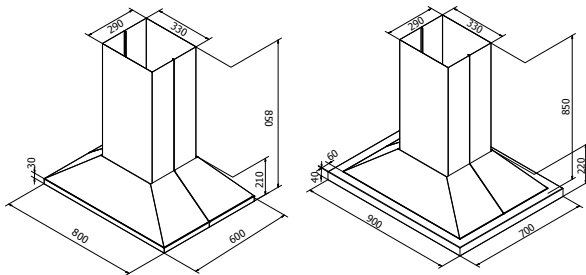
Pyramide

⊕ Also available as wall-mounted (page 58)

PRODUCT PHOTO



DIMENSIONED DRAWING



With wooden mantel

TECHNICAL INFORMATION

Energy class	A+
Extraction (m ³ /h)	191/222/289/435 (B 664)
Noise level (dBA)	34/38/44/53 (B 63)
Lighting	LED 2700–5000K
Outlet dimensions	120/150
Installation pack	125/160
AUX-signal	Yes

AVAILABLE OPTIONS

		Price GBP
Brushed steel	Yes	Incl.
Any colour, gloss 35	Yes	Incl.
Any colour, matt 10	Yes	535
Any colour, high gloss 95	Yes	535
Other metals, brushed	Yes	630
Other metals, high gloss	No	-
Stove Guard PCU (optional)	Yes	300

TYPES OF VENTILATION

Duct out	Yes
Recirculation	Yes



Pyramide is a classic model that is perfect above a kitchen island. This hood offers a wide range of options, and can be lacquered in any colour of your choice or produced in any of our metals. The chimney can be adapted to custom dimensions, and can even be angled for sloped ceilings at an additional charge. The hood is also available with wooden trim to match your kitchen cabinets or worktop, in which case the model name is Rubin.

PRICE LIST

Item no.	Product name	Width	Finish	Price GBP
304200	Pyramide SENSE Island 80 x 21	80 cm	Brushed steel/Colour	1 350
321000	Rubin Island 90 x 22	90 cm	Brushed steel/Colour	1 800
9260	Installation pack	125 mm	-	35
9261	Installation pack	160 mm	-	40
8521	Longlife charcoal filter	-	-	150
9304	PCU for Stove Guard functionality	-	-	300
9243	Custom chimney height, up to 1 m	-	Brushed steel/Colour	180
9244	Custom duct to measure, up to 1.8 m length	-	Brushed steel/Colour	325
9246	Additional charge for angled chimney	-	-	160

Additional charge for matt colours, PVD copper, steel, black steel or brass in brushed finish, see page 99.
The wooden strip can be lacquered in any colour of your choice.

SEE MORE ONLINE:



Scan code with your mobile



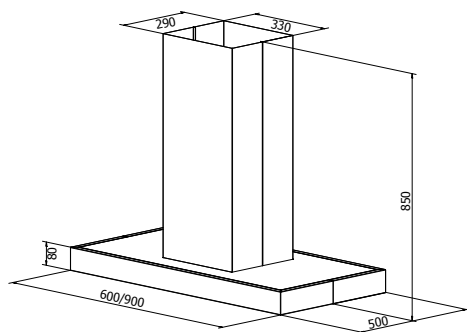
Hera

⊕ Also available as wall-mounted (page 59)

PRODUCT PHOTO



DIMENSIONED DRAWING



TECHNICAL INFORMATION

Energy class	A++/A+
Extraction (m³/h)	191/222/289/435 (B 664)
Noise level (dBA)	34/38/44/53 (B 63)
Lighting	LED 2700–5000K
Outlet dimensions	120/150
Installation pack	125/160
AUX-signal	Yes

AVAILABLE OPTIONS

		Price GBP
Brushed steel	Yes	Incl.
Any colour, gloss 35	Yes	Incl.
Any colour, matt 10	Yes	535
Any colour, high gloss 95	No	-
Other metals, brushed	Yes	630
Other metals, high gloss	No	-
Stove Guard PCU (optional)	Yes	300

TYPES OF VENTILATION

Duct out	Yes
Recirculation	Yes



Hera is a timeless model that never goes out of fashion. It comes in 60 and 90 cm standard widths, in brushed steel or in any colour of your choice. The bottom can be extended on one or both sides to act as a shelf for an additional cost. Hera can be supplied with an optional wooden strip to match your kitchen.

PRICE LIST

Item no.	Product name	Width	Finish	Price GBP
196200	Hera SENSE Island 60 x 8	60 cm	Brushed steel/Colour	1 390
196300	Hera SENSE Island 60 x 8 with wood	60 cm	with wood	1 605
196600	Hera SENSE Island 90 x 8	90 cm	Brushed steel/Colour	1 680
196700	Hera SENSE Island 90 x 8 with wood	90 cm	with wood	1 910
9260	Installation pack	125 mm	-	35
9261	Installation pack	160 mm	-	40
8521	Longlife charcoal filter	-	-	150
9304	PCU for Stove Guard functionality	-	-	300
9243	Custom chimney height, up to 1 m	-	Brushed steel/Colour	180
9244	Custom chimney to measure, up to 1.8 m length	-	Brushed steel/Colour	325
9246	Additional charge for angled chimney	-	-	160
9300	Additional charge for shelf extension, up to 60 cm	-	-	300
9301	Additional charge for shelf extension, up to 120 cm	-	-	525

Additional charge for matt colours, PVD copper, steel, black steel or brass in brushed finish, see page 99.

SEE MORE ONLINE:



Scan code with your mobile



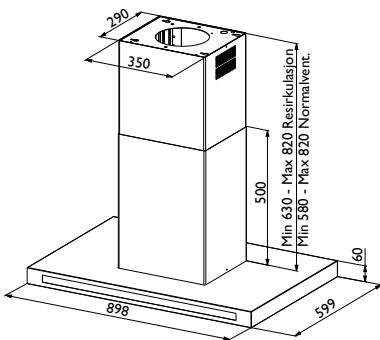
Flora

⊕ Also available as wall-mounted (page 64)

PRODUCT PHOTO



DIMENSIONED DRAWING



TECHNICAL INFORMATION

Energy class	A+
Extraction (m ³ /h)	300/420/580 (B 700)
Noise level (dBA)	52/59/66 (B 69)
Lighting	4 x LED
Outlet dimensions	120/150
Installation pack	125/160
AUX-signal	No

AVAILABLE OPTIONS

Price GBP

Brushed steel	Yes	Incl.
Any colour, gloss 35	No	-
Any colour, matt 10	No	-
Any colour, high gloss 95	No	-
Other metals, brushed	No	-
Other metals, high gloss	No	-
Stove Guard PCU (optional)	No	-

TYPES OF VENTILATION

Duct out	Yes
Recirculation	Yes



Flora, with its straight lines and T-shaped form, is a great choice for the modern kitchen. This free-hanging hood comes in steel with a black glass front and back, giving it an elegant feel. Flora is available in a width of 90 cm.

PRICE LIST

Item no.	Product name	Width	Finish	Price GBP
5088	Flora Island 90	89.8 cm	Steel/Glass front	1 440
9260	Installation pack	125 mm	-	35
9261	Installation pack	160 mm	-	40
9250	Charcoal filter	-	-	55


SEE MORE ONLINE:



Scan code with your mobile

05

INTE- GRATED HOODS

A rustic wooden cabin with an integrated hood emitting steam in a snowy landscape. The cabin is made of dark, weathered wood and has a small window. The hood is integrated into the cabin's structure, and a plume of white steam or smoke is rising from it. The cabin is situated on a rocky shore next to a body of water, with snow on the ground and rooftops. The sky is a pale, hazy blue.

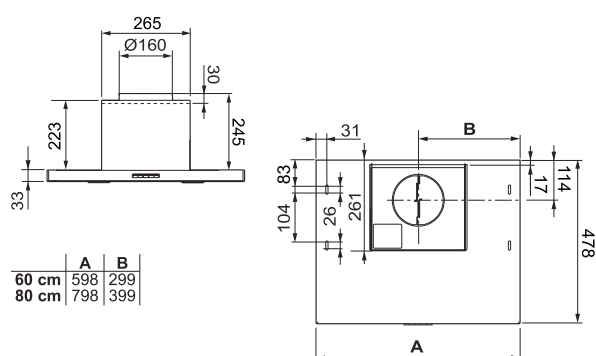
Integrated hoods provide a good solution to manage your indoor air quality without giving up too much space and have a more discreet finish, with having the hood hidden inside a wall cabinet.

600

PRODUCT PHOTO



DIMENSIONED DRAWING



TECHNICAL INFORMATION

Energy class	A**
Extraction (m ³ /h)	231/324/448 (B 780)**
Noise level (dBA)	45/54/64 (B 74)**
Lighting	2 x LED
Outlet dimensions	125/160
Installation pack	125/160
AUX-signal	Yes

AVAILABLE OPTIONS

	Price GBP	
Brushed steel	Yes	Incl.
Any colour, gloss 35	No	-
Any colour, matt 10	No	-
Any colour, high gloss 95	No	-
Other metals, brushed	No	-
Other metals, high gloss	No	-
Stove Guard PCU (optional)	Yes	See price list

TYPES OF VENTILATION

Duct out	Yes
Recirculation	Yes

600 is a contemporary and stylish slimline cabinet model for all types of ventilation. It can be used for duct out or recirculation. It is produced in steel and can be supplied in 60 or 80 cm widths. This model is not telescopic (a slide-able pull-out). It is fitted under a wall cabinet, either with or without a base panel. It is supplied with a AUX-signal and can also be supplied with a Stove Guard.

PRICE LIST

Item no.	Product name	Width	Finish	Price GBP
7900	600 original 60	59.8 cm	Steel	650
7914	600 SAFE (SG) 60	59.8 cm	Steel	1 220
7901	600 original 80	79.8 cm	Steel	730
7915	600 SAFE (SG) 80	79.8 cm	Steel	1 355
9260	Installation pack	125 mm	-	35
9261	Installation pack	160 mm	-	40
9819	Flange for charcoal filter*	-	-	50
9818	Charcoal filter	-	-	170

* Only required for first-time purchase. ** Applies to 600 with motor for duct out.

Venus

PRODUCT INFO

Venus is a hood for wall cabinets. It is supplied in black with LED lights. Venus is a good choice for smaller top boxes with a height limitation as it's only 209 mm high. Note that it can only be fitted in cabinets with a base panel.

TECHNICAL INFORMATION

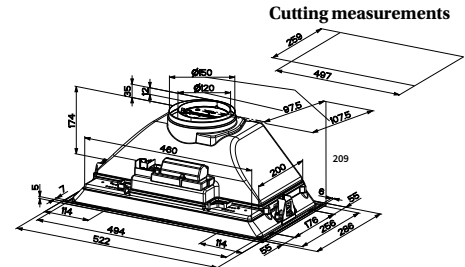
Energy class	B
Extraction (m ³ /h)	180/270/390
Noise level (dBA)	54/62/70
Lighting	2 x LED
Outlet dimensions	120/150
Installation pack	125/160
AUX-signal	No

TYPES OF VENTILATION Duct out and Recirculation

PRODUCT PHOTO



DIMENSIONED DRAWINGS



PRICE LIST

Item no.	Product name	Width	Finish	Price GBP
7936	Venus 60	52.2 cm	Black steel	440
9260	Installation pack	125 mm	-	30
9261	Installation pack	160 mm	-	40
9092	Charcoal filter	-	-	60

800 LED

PRODUCT INFO

800 LED is an attractive hood in stainless steel with LED lightning. The hood has an outlet for a control cable for a balanced ventilation system, and is supplied with a AUX-signal. The aperture dimensions are 452 x 293 mm for the 49 cm width or 622 x 293 mm for the 66 cm width.

TECHNICAL INFORMATION

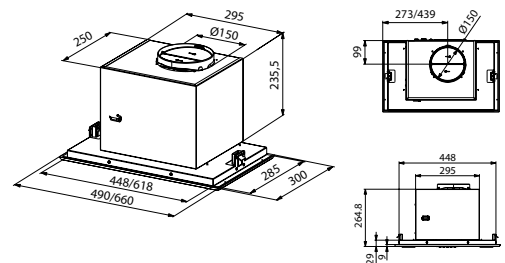
Energy class	A++
Extraction (m ³ /h)	190/360/460/570 (B 750)
Noise level (dBA)	43/56/61/65 (B 71)
Lighting	2 x LED
Outlet dimensions	120/150
Installation pack	125/160
AUX-signal	Yes

TYPES OF VENTILATION Duct out and Recirculation

PRODUCT PHOTO



DIMENSIONED DRAWINGS



PRICE LIST

Item no.	Product name	Width	Finish	Price GBP
7910	800 LED 49	49 cm	Stainless steel	635
7913	800 LED 66	66 cm	Stainless steel	690
9260	Installation pack	125 mm	-	35
9261	Installation pack	160 mm	-	40
9340	Charcoal filter	-	-	40
8519	Charcoal filter Monoblock High Performance	-	-	150
8050	Remote control	-	-	75



Crystall¹¹⁴⁰

PRODUCT INFO

Crystall 1140 is a telescopic hood with a three colour options for a frontal strip included: a silver-grey front-edge strip, white or black, which allows colour matching to your kitchen. It can be installed in a cabinet, either with or without a base panel.

TECHNICAL INFORMATION

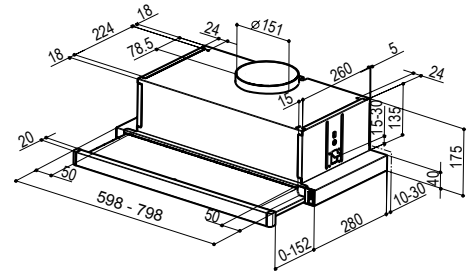
Energy class	D
Extraction (m ³ /h)	220/320/420
Noise level (dBA)	57/66/69
Lighting	2 x 3 W LED
Outlet dimensions	120/150
Installation pack	125/160
AUX-signal	No

TYPES OF VENTILATION Duct out and Recirculation

PRODUCT PHOTO



DIMENSIONED DRAWINGS



PRICE LIST

Item no.	Product name	Width	Finish	Price GBP
8025	Crystall 1140	59.8 cm	Steel	180
8047	Crystall 1140	79.8 cm	Steel	280
9260	Installation pack	125 mm	-	35
9261	Installation pack	160 mm	-	40
9410	Charcoal filter	-	-	25

Crystall^{1160/1180}

PRODUCT INFO

Crystall 1160 and 1180 is an improved version on the 1140, offering much higher extraction, lower noise and with it's low energy rating, it's a very economical unit to run. With these features it's clear why this is such a popular integrated model.

TECHNICAL INFORMATION

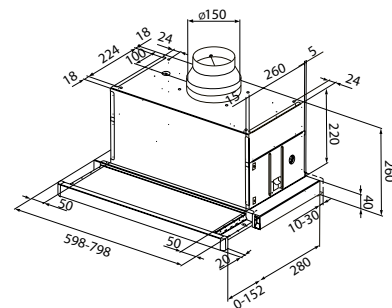
Energy class	A
Extraction (m ³ /h)	200/320/540
Noise level (dBA)	48/54/63
Lighting	2 x LED
Outlet dimensions	120/150
Installation pack	125/160
AUX-signal	No

TYPES OF VENTILATION Duct out and Recirculation

PRODUCT PHOTO



DIMENSIONED DRAWINGS



PRICE LIST

Item no.	Product name	Width	Finish	Price GBP
8165	Crystall 1160	59.8 cm	Steel	360
8166	Crystall 1180	79.8 cm	Steel	460
9260	Installation pack	125 mm	-	35
9261	Installation pack	160 mm	-	40
9251	Charcoal filter	-	-	55
8050	Remote control	-	-	75

Optima

PRODUCT INFO

Optima is a premium telescopic hood in steel. It is installed in cabinets with a base panel. Optima is very economical to run and offers good levels of extraction and at a comfortable noise level.

TECHNICAL INFORMATION

Energy class	A
Extraction (m ³ /h)	290/410/560 (B 700)
Noise level (dBA)	53/60/66/ (B 69)
Lighting	2 x 3 W LED
Outlet dimensions	120/150
Installation pack	125/160
AUX-signal	No

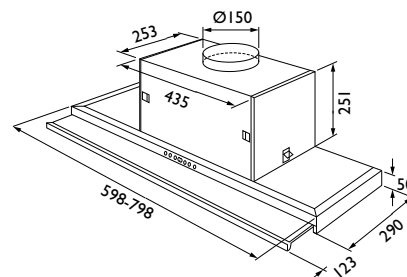
TYPES OF VENTILATION Duct out and Recirculation



PRODUCT PHOTO



DIMENSIONED DRAWINGS



PRICE LIST

Item no.	Product name	Width	Finish	Price GBP
7930	Optima 60	59.8 cm	Steel	790
7931	Optima 80	79.8 cm	Steel	1 020
9260	Installation pack	125 mm	-	35
9261	Installation pack	160 mm	-	40
9323	Charcoal filter holder (only required for first-time purchase)	-	-	140
9203	Charcoal filter	-	-	185
8050	Remote control	-	-	75



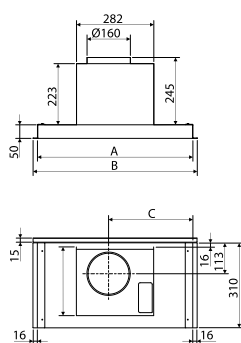
Optima fits perfectly into this kitchen recess and ensures both good indoor air quality and good working light, thanks to integrated LED lighting.

Fortuna

PRODUCT PHOTO



DIMENSIONED DRAWING



	A	B	C
60 cm	563	597	306
80 cm	763	797	406



Fortuna is the perfect combination of form and function. The glass panel can be folded out for better odour capture when in use, and hidden at other times. Fortuna is available in 60 or 80 cm widths, and it can be installed in a cabinet without a base. The glass section has an easy-to-use touch panel. Fortuna can be supplied with an integrated Stove Guard.

TECHNICAL INFORMATION

Energy class	A
Extraction (m ³ /h)	128/294/459 (B 726)*
Noise level (dBA)	45/56/66 (B 75)*
Lighting	2 x LED
Outlet dimensions	120/150
Installation pack	125/160
AUX-signal	Yes

AVAILABLE OPTIONS

	Price GBP	
Brushed steel	Yes	Incl.
Any colour, gloss 35	No	-
Any colour, matt 10	No	-
Any colour, high gloss 95	No	-
Other metals, brushed	No	-
Other metals, high gloss	No	-
Stove Guard PCU (optional)	Yes	See price list

TYPES OF VENTILATION

Duct out	Yes
Recirculation	Yes

PRICE LIST

Item no.	Product name	Width	Finish	Price GBP
5852	Fortuna duct out	59.9 cm	Steel and glass	1 170
5856	Fortuna duct out SAFE (SG)	59.9 cm	Steel and glass	1 530
5854	Fortuna duct out	79.9 cm	Steel and glass	1 170
5858	Fortuna duct out SAFE (SG)	79.9 cm	Steel and glass	1 615
9260	Installation pack	125 mm	-	35
9261	Installation pack	160 mm	-	40
9819	Flange for charcoal filter*	-	-	50
9818	Charcoal filter	-	-	170
8050	Remote control	-	-	75

* Only required for first-time purchase

Ignis

PRODUCT INFO

Ignis is a completely hidden integrated option when not in use, with a fold-out glass panel that efficiently captures grease and cooking odours. It is available in 60 and 80 cm widths, and can be fitted in cabinets without a base panel.

TECHNICAL INFORMATION

Energy class	A
Extraction (m ³ /h)	280/420/570 (B 670)
Noise level (dBA)	53/62/68 (B 70)
Lighting	2 x LED
Outlet dimensions	120/150
Installation pack	125/160
AUX-signal	No

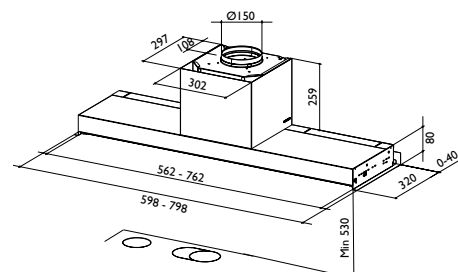
TYPES OF VENTILATION

Duct out and Recirculation

PRODUCT PHOTO



DIMENSIONED DRAWINGS



PRICE LIST

Item no.	Product name	Width	Finish	Price GBP
7932	Ignis 60	59.8 cm	Steel	705
7933	Ignis 80	79.8 cm	Steel	785
9260	Installation pack	125 mm	-	35
9261	Installation pack	160 mm	-	40
9250	Charcoal filter	-	-	55



Neptune

PRODUCT INFO

Neptune is an integrated hood with perimetric extraction allowing higher airflow. The motor is reversible, so the exhaust can run out the back, top, or any of the sides. The minimum cabinet depth is 30 cm. It is fitted in a cabinet with a base panel.

TECHNICAL INFORMATION

Energy class	C
Extraction (m ³ /h)	290/440/560/620
Noise level (dBA)	53/62/68/70
Lighting	LED
Outlet dimensions	120/150
Installation pack	125/160
AUX-signal	No

TYPES OF VENTILATION Duct out and Recirculation



Aria

PRODUCT INFO

Aria is completely hidden beneath your wall cabinet. It has good working lights with excellent extraction and very economical to run. It is available in steel or white. The minimum depth of the wall cabinet is 32 cm, and the hood is mounted in a cabinet with a base panel.

TECHNICAL INFORMATION

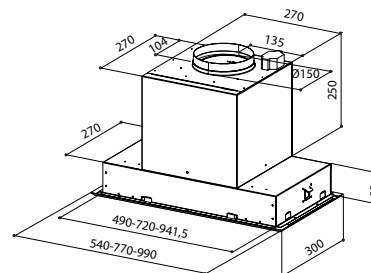
Energy class	A
Extraction (m ³ /h)	294/410/565 (B 660)
Noise level (dBA)	50/59/65 (B 69)
Lighting	2 x LED rails
Outlet dimensions	120/150
Installation pack	125/160
AUX-signal	No

TYPES OF VENTILATION Duct out and Recirculation

PRODUCT PHOTO



DIMENSIONED DRAWINGS



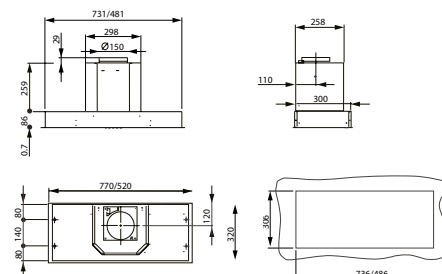
PRICE LIST

Item no.	Product name	Width	Finish	Price GBP
7920	Neptune 60 2 x LED	54 cm	Steel	720
7921	Neptune 80 2 x LED	77 cm	Steel	775
7922	Neptune 100 4 x LED	99 cm	Steel	890
9260	Installation pack	125 mm	-	35
9261	Installation pack	160 mm	-	40
9250	Charcoal filter	-	-	55
8050	Remote control	-	-	75

PRODUCT PHOTO



DIMENSIONED DRAWINGS



PRICE LIST

Item no.	Product name	Width	Finish	Price GBP
7925	Aria 60	52 cm	Steel	855
7927	Aria 60	52 cm	White	925
7926	Aria 80	77 cm	Steel	965
7928	Aria 80	77 cm	White	965
9260	Installation pack	125 mm	-	35
9261	Installation pack	160 mm	-	40
9250	Charcoal filter	-	-	55

06

ACCES- SORIES

+ GUIDES



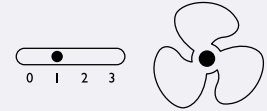
A cooker hood from RørosHetta is a sound investment into the health of your home and family. To get the most out of your hood, correct installation and maintenance are vital. We supply everything you need to ensure optimal connection and use of your hood, whatever the design of your kitchen.

DAILY USE AND MAINTENANCE

HOW TO USE YOUR HOOD AS EFFICIENTLY AS POSSIBLE

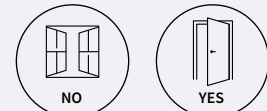
Start the hood in time

The most important aspect of ventilation is to remember to start the hob once you start cooking. Any delay would result in greatly diminishing its efficiency, only a few minutes delay could mean less than 50% efficient. That is also the reason why SENSE automatic ventilation is recommended as it means you're always extracting at optimum levels.



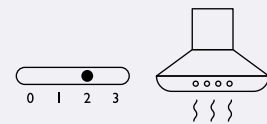
Close the windows and leave a door ajar

Ventilation is most effective if you close the kitchen windows but ensure that the fan can get supply air, for example by keeping the door to the living room ajar.



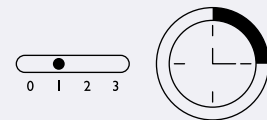
Set the hood to correct speed setting

Setting your hood to an extraction level of between 300 and 550 m³/h, should be efficient. If you have to turn on the fan at a higher level or use the boost function, you have probably already ruined the food. If your hood is equipped with RørosHetta SENSE, it will regulate this automatically, allowing care-free cooking.



Remember to leave the fan on for a while after you have finished cooking

Use the lowest setting to ventilate the room for about 15 to 30 minutes after you have finished cooking. This feature is also important because it helps to dry out the grease filter after cooking. RørosHetta SENSE regulates this automatically.



5-YEAR WARRANTY

A promise of quality that is built to last

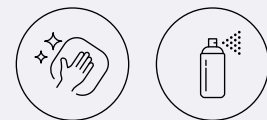
Every RørosHetta hood is designed with sustainability in mind, conserving both energy and natural resources, without compromising performance. The commitment on the promise of quality, is backed by a 5-year guarantee on all hoods.



HOW TO MAINTAIN YOUR RØROSHETTA HOOD

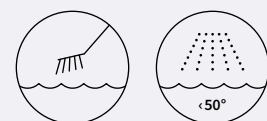
Surface maintenance

PVD-coated and lacquered hoods can easily be cleaned with hot water and washing-up liquid. Steel hoods can be maintained with a steel cleaner, or you can use a damp cloth followed by a dry microfibre cloth. Please note that models in brushed steel and PVD-coated panels have been treated to resist fingerprints. Do not use microfibre cloths on products coated with high-gloss lacquer or PVD.



Maintaining your filters

The grease filter should be washed regularly, every month. Place in hot water and washing-up liquid in the sink, or wash in the dishwasher at a maximum of 50°C. If your hood is not duct out, it needs a charcoal filter. The charcoal filter should be replaced every 3 months, unless it is a SENSE Longlife monoblock filter. The monoblock carbon filter has a working lifetime of up to 5 years (900 hours of cooking).

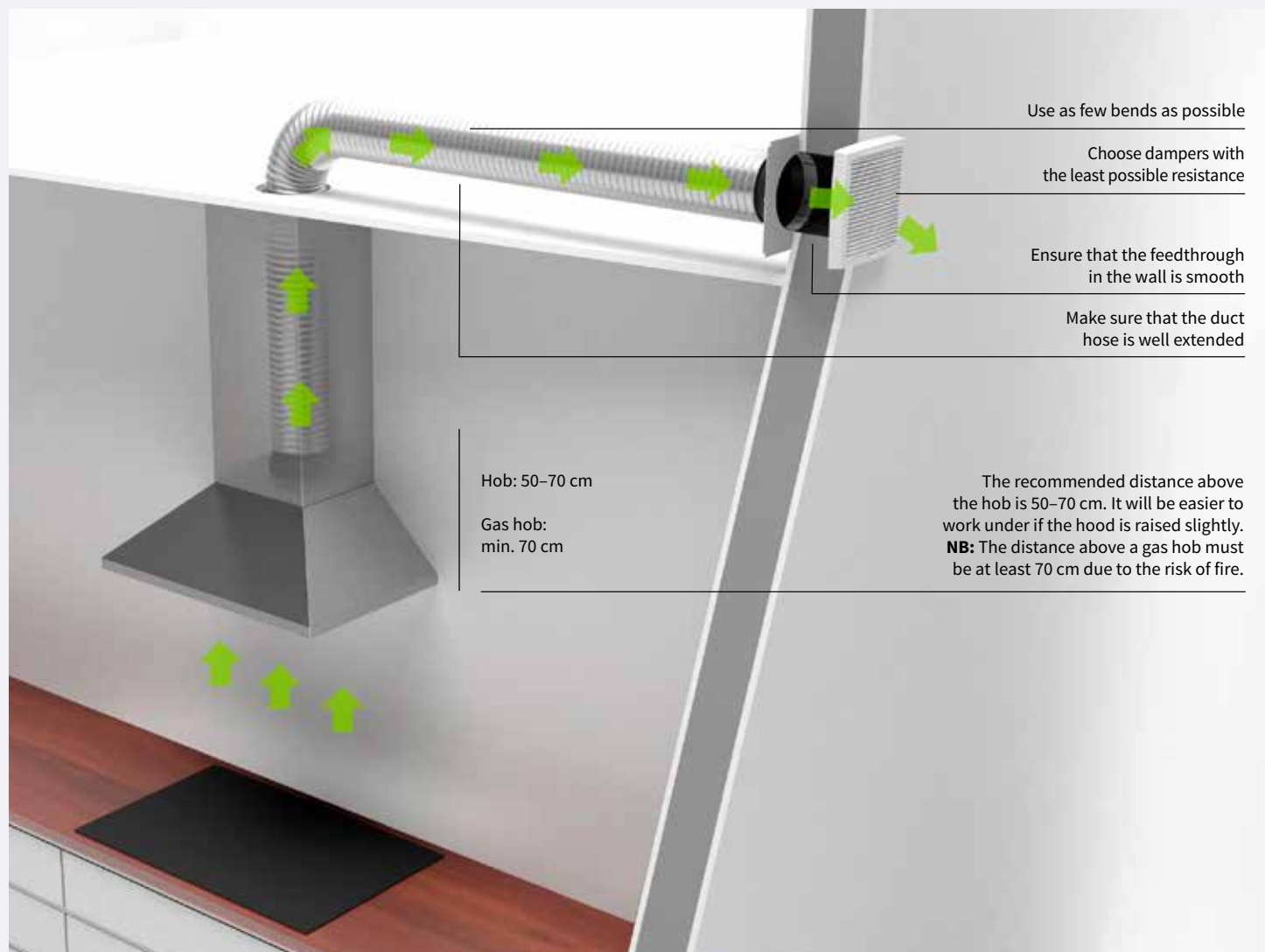


HOOD INSTALLATION

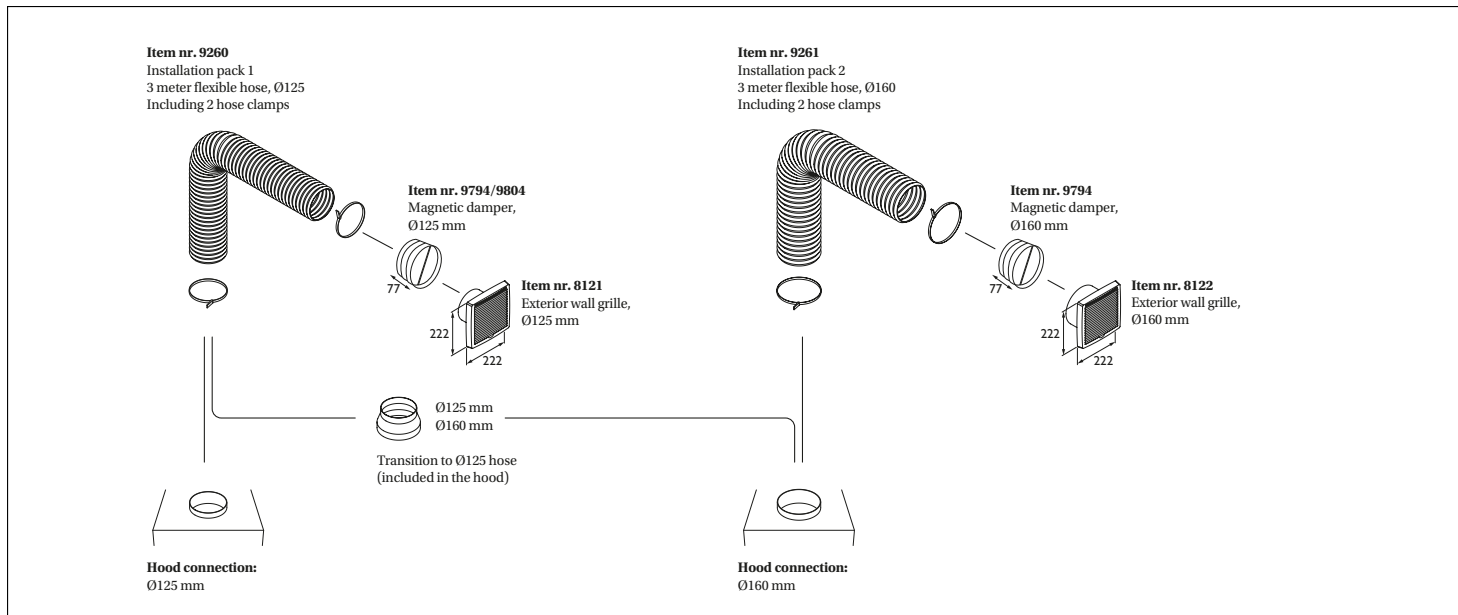
The diameter, length and number of bends in the duct affects the efficiency of your extraction.

Often, the actual extraction is half of the motor capacity, due to poor installation. Use ducting that creates the least possible resistance. This means using ducting that is as smooth as possible inside with as few bends possible. In the case of flexible ducting, make sure the ducting is taught. Try to keep the distance of the ducting as short as possible. In situations where the distance is large and requires lots of bends, it's best to get a hood with the highest possible extraction to compensate for the loss. Here's how to install your hood correctly.

Please check your local building regulations for clearance height restrictions for your hob from your hood.



Use a 6" (160 mm) diameter hose to maximise the capacity of your extractor fan. During windy weather, you may find that the damper clatters, creating unwanted noise. With a magnetic damper, however, this does not happen, and you also prevent cold air from penetrating into your home.



Item no.	Product name	Width	Finish	Price
9260	Installation pack 1	125 mm	-	35
9261	Installation pack 2	160 mm	-	40

Choose ducting and adapters suitable to your needs. Our full range of ducting parts can be seen on the next page.

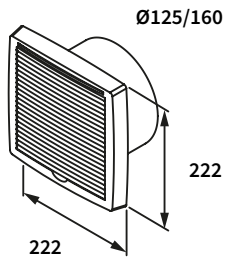
CHARCOAL FILTER FOR RECIRCULATION

Using a charcoal filter will increase the general noise level from the motor, because of the added resistance of the filter, as the motor needs to suck the air through the filter to clean it. Tests show that ducting out is around 35% more efficient than the best available charcoal filters. Therefore, it will always be better to extract cooking odour and humidity outside, rather than opting for recirculating. When ducting is not an option, it's important to find a hood with an efficient charcoal filter. Without good filtration, the hood merely acts as a fan pushing dirty air around in the kitchen. A number of our charcoal filters offer more than 90% recirculation efficiency, however, the cheaper models are often very ineffective, with around 30% filtration. In order to provide the best possible conditions for charcoal filter technology, it is important to follow the grease filter's maintenance instructions. Regular maintenance of the grease filter helps to ensure the optimal effect of your charcoal filter. Our best charcoal filters have a working lifetime of 900 hours. We recommend using an original charcoal filter intended for the extractor for the best effect. Until other regenerable filters are better documented and tested, we do not recommend them for our kitchen hoods. If you have an older RørosHetta hood and can't find a replacement charcoal filter for it in the list below, please contact our Customer Service Centre.

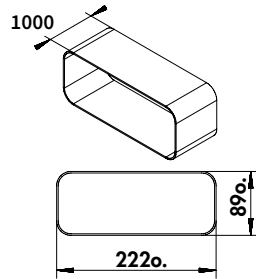


Item no.	Product name	Price GBP
9250	Charcoal filter for Aria, Neptune, Ignis, Flora, Cilindro, Helios and Lyra	55
9251	Charcoal filter for Vega, Argo, Vero and Crystall 1160/1180	55
8519	Monoblock High Performance charcoal filter for 800 LED	150
8521	Longlife charcoal filter	150
9410	Charcoal filter for Crystall 1140	25
9203	Charcoal filter for Optima, washable	185
9340	Charcoal filter for LED 800	40

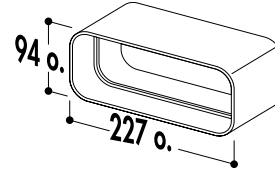
DUCTING



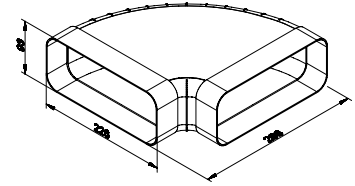
Exterior wall grille	Ø125	Ø160
Item no.:	8121	8122
Price:	55	65



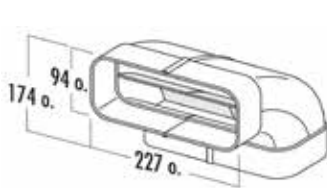
Rectangular duct 100 cm	
Item no.:	9614
Price:	35



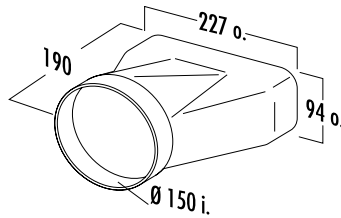
Rectangular joint	
Item no.:	9615
Price:	10



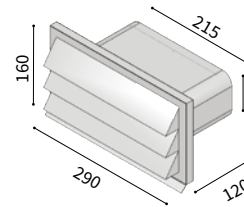
Rectangular horizontal bend	
Item no.:	9616
Price:	35



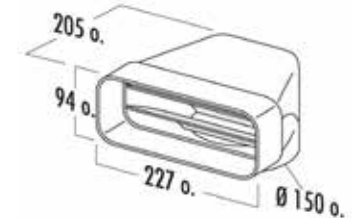
Rectangular vertical bend	
Item no.:	9617
Price:	30



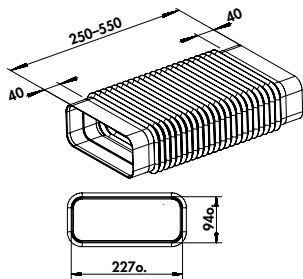
Rectangular adapter Ø 150 mm	
Item no.:	9618
Price:	25



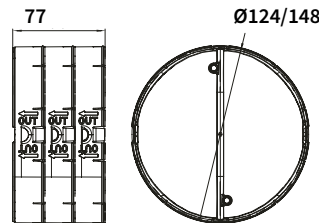
Rectangular external damper	
Item no.:	9619
Price:	200



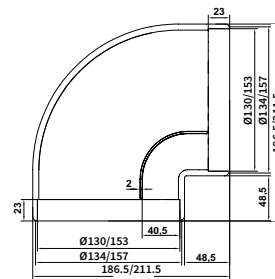
Corner adapter	
Item no.:	9668
Price:	40



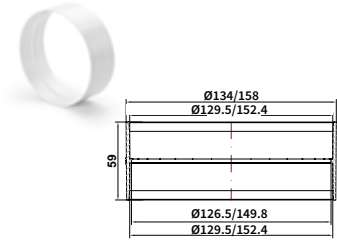
Rectangular flexible hose	
Item no.:	9746
Price:	110



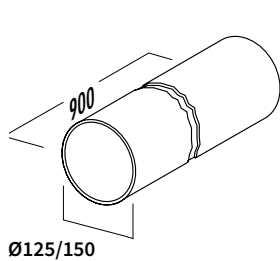
Magnetic damper	Ø125	Ø150
Item no.:	9804	9794
Price:	125	145



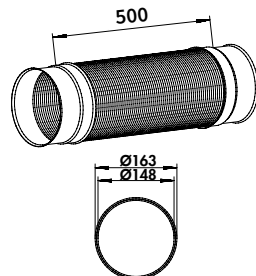
Circular bend 90°	Ø125	Ø150
Item no.:	403034	403035
Price:	25	35



Circular connector	Ø125	Ø150
Item no.:	403036	403037
Price:	10	15



Fixed pipe	Ø125	Ø150
Item no.:	403038	403039
Price:	40	50



Flex Spiro	Ø150
Item no.:	403041
Price:	85



Turbo flow 150 wall conduct *	
Item no.:	403023
Price:	420



Turbo 150 wall conduct *	
Item no.:	403042
Price:	420

* Incl. thermobox

* Incl. thermobox

QR-CODE GALLERY

ROROSHETTA.UK



roroshetta.uk



Our History

CORPORATE VIDEO RØROSHETTA



Promotion video
RørosHetta

RØROSHETTA SENSE



RørosHetta SENSE
Full video



Tailored
Clip



Silent
Clip



Automatic
Clip



Automatic shut-off
Clip



Indoor climate
Clip

INSTALLATION VIDEOS



RørosHetta SENSE
Wall Mounted



Vision

SOCIAL MEDIA



Facebook



Instagram



LinkedIn

TERMS OF DELIVERY

PRICES

The prices demonstrated within the catalogue are the Recommended Retail Price (RRP) and are inclusive of VAT (20%).

DELIVERY & FREIGHT

Delivery and freight costs are additional.

Incoterms 2020 Delivered At Place (DAP).

Delivery is to a GB VAT registered address.

Delivery cost is £150 per cooker hood (up to 3 cooker hoods) to UK mainland.

Delivery cost is £350 for 4-6 cooker hoods per shipment to UK mainland.

Cost for 7+ cooker hoods is to be negotiated.

Delivery costs to the Channel Islands, Jersey, Guernsey, Sark, Alderney, Isle of Man, Isle of Wight, Orkney Islands, Shetland Islands, Inner Hebrides, Outer Hebrides are also to be negotiated.

RETURNING ITEMS

Goods can only be returned by prior agreement. They must be in their original packaging, accompanied by a returns slip from Røros Metall.

Røros Metall does not cover the cost of shipping for returns. Standard products can be credited at 80% of the invoice amount.

Custom items cannot be returned.

DAMAGE IN TRANSPORT

It is the responsibility of the recipient to check on receipt that the packaging and the product are not damaged. Visible damage must be recorded on the consignment note. Any damage in transport not reported within five days will not be credited by Røros Metall. Damaged or defective goods must not be installed, except by agreement with Røros Metall. Any consequential costs of damaged or delayed goods cannot be charged to Røros Metall.

SERVICE AND WARRANTY

Røros Metall provides a five-year warranty for all hoods. No warranty is given for faults or damage directly or indirectly caused by incorrect installation, electrical connection, use or maintenance or due to other external conditions. Normal wear and tear must be expected, such as the need to replace lights and filters.

Røros Metall offers servicing through authorised service companies. All service assignments and complaints must be reported on a dedicated service form, which can be found on roroshetta.uk. Documentation of the date of purchase must also be submitted. Røros Metall only covers the cost of agreed service assignments.

RESERVATIONS

Wood is a natural material, subject to variations in colour and structure, including between individual cabinet doors, details and deliveries. The products are handmade and will therefore be unique and may vary in execution.

RørosHetta carries out continuous product development, which may lead to changes in design and construction. For technical reasons, the colours of products shown in the catalogue may differ slightly from the actual colours. Errors and omissions excepted. We reserve the right to make changes to prices, product details or technical specifications.

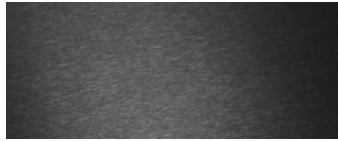
DISCLAIMER

Every effort has been made to ensure the accuracy of the product specification data and product images at the time of the printing. However due to continuous product improvement, RørosHetta reserves the right to make changes to the products and technical data without prior notice. The images, logos, names and trademarks (whether registered or unregistered) may only be used with express permission from RørosHetta.

MATERIALS

PVD COATINGS, COLOURS AND WALL PANELS

On many of our cooker hoods, you can choose the metal (PVD coating), colour and finish to get exactly the design you want. Different suppliers often have different standards for black. If you are using other black colours in the same room, you may wish to order the hood in the same shade. Brushed PVD finishes have an anti-fingerprint coating.



Brushed black steel

Item no.	8512
Price:	630



Brushed steel

Item no.	-
Price:	Incl. in price



Brushed copper

Item no.	8506
Price:	630



Brushed brass

Item no.	8508
Price:	630



High-gloss black steel

Item no.	8513
Price:	630



High-gloss steel

Item no.	8511
Price:	630



High-gloss copper

Item no.	8507
Price:	630



High-gloss brass

Item no.	8509
Price:	630



Any colour - Standard (gloss level 35)

Item no.	-
Price:	Incl. in price



Any colour - Matt (gloss level 10)

Item no.	8510
Price:	535



Any colour - High gloss (gloss level 95)

Item no.	8505
Price:	535

WALL PANELS

We can also supply beautiful wall panels in any of our metal finishes or in any colour. The panels are 0.7 mm thick and are supplied to measure. The maximum size is 120 x 240 cm. They are treated to resist fingerprints and delivered ready to fit in accordance with your plans. They should be attached with a suitable tile adhesive or contact adhesive, depending on the substrate to which they will be attached.



Panel	Brushed steel/ Colour	Other metals
Item no.	8003	7950
Price:	205	420

roroshetta.uk



RØROS METALL AS
Stamphusveien 11, NO-7374 Røros, Norway
Tel. +47 72 40 94 00 / post@rorosmetall.no

Instagram #Røroshetta
Follow us on Facebook!

DEALER:

Design: Gjerholm AS