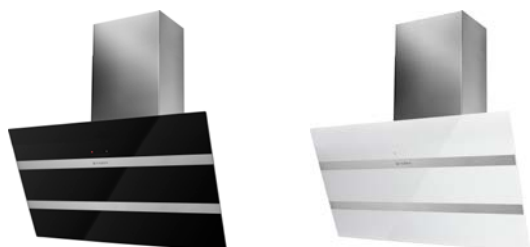
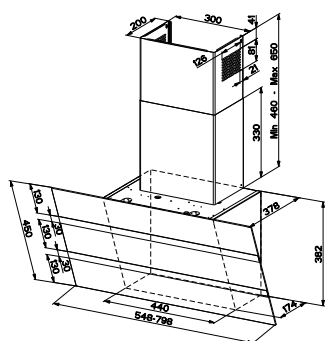


Argo

PRODUCT PHOTO



DIMENSIONED DRAWING



TECHNICAL INFORMATION

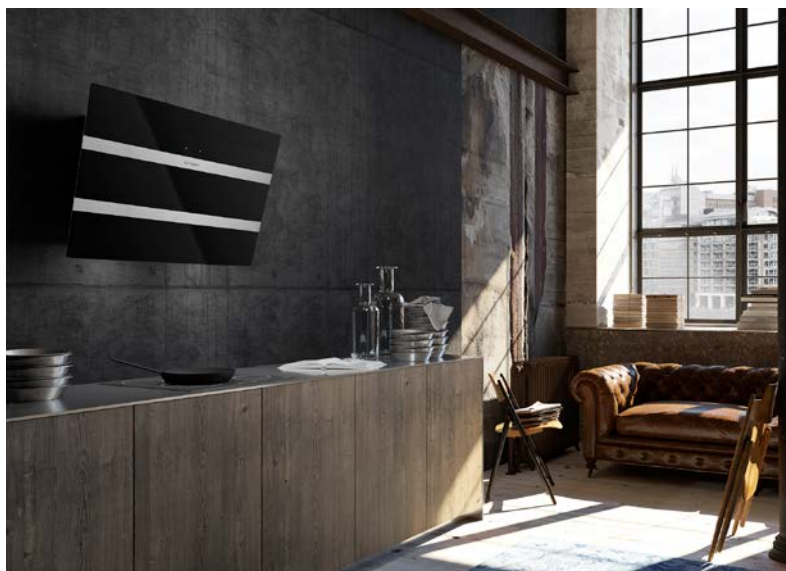
Energy class	A+
Extraction (m ³ /h)	310/420/580 (B 720)
Noise level (dBA)	52/56/62 (B 65)
Lighting	2 x LED
Outlet dimensions	120/150
Installation pack	125/160
Height of wall-attachment	338 mm from the bottom of the hood
AUX-signal	No

AVAILABLE OPTIONS

Brushed steel	No
Any colour, gloss 35	No
Any colour, matt 10	No
Any colour, high gloss 95	No
Other metals, brushed	No
Other metals, high gloss	No
Stove Guard PCU (optional)	No

TYPES OF VENTILATION

Duct out	Yes
Recirculation	Yes



Argo has with fashionable style, powerful extraction at a low noise, along with an economical energy rating, it's easy to understand why Argo is so popular. The dimensions are slightly narrower than most hoods, which makes it the preferred choice for between cabinets. It can be installed with or without the chimney and ducting is simplified by a reversible motor, which allows the installer to duct to the top, or directly to the back (horizontally).

Item no.	Product name	Width	Finish
5081	Argo 55	54,8 cm	Black glass
5083	Argo 55	54,8 cm	White glass
5082	Argo 80	79,8 cm	Black glass
5084	Argo 80	79,8 cm	White glass

Always supplied with steel chimney.
For recirculation, the installation of the chimney is optional but a metal grid is advised as a safety precaution to cover the duct opening.

SEE MORE ONLINE:



Scan code with your mobile

