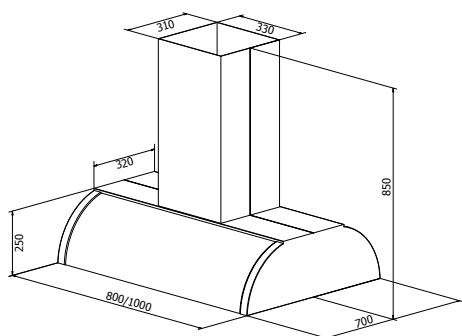


Cetus

PRODUCT PHOTO



DIMENSIONED DRAWING



TECHNICAL INFORMATION

Energy class	A+
Extraction (m ³ /h)	191/222/289/435 (B 664)
Noise level (dBA)	34/38/44/53 (B 63)
Lighting	LED 2700-5000K
Outlet dimensions	120/150
Installation pack	125/160
AUX-signal	Yes

AVAILABLE OPTIONS

Brushed steel	Yes	Incl.
Any colour, gloss 35	Yes	Incl.
Any colour, matt 10	Yes	
Any colour, high gloss 95	Yes	
Other metals, brushed	Yes	
Other metals, high gloss	Yes	
Stove Guard PCU (optional)	Yes	

TYPES OF VENTILATION

Duct out	Yes
Recirculation	Yes



Cetus is a new edition to the range, that allows the possibility of a sleek modern look, or a vintage farmhouse feel, depending on your choice of colour/metal finishing. The strips can be custom coloured as well, or have a metal finish to break up the lines and give a two-tone effect to the design.

Item no.	Product name	Width	Finish
315100	Cetus SENSE Island 80 x 25	80 cm	Brushed steel/Colour
315400	Cetus SENSE Island 100 x 25	100 cm	Brushed steel/Colour



Side strips can be supplied in the colour or PVD metal of your choice at no extra charge. Additional charge for matt colours, high-gloss colours, PVD copper, steel, black steel or brass in brushed or high-gloss finish.

SEE MORE ONLINE:



Scan code with your mobile