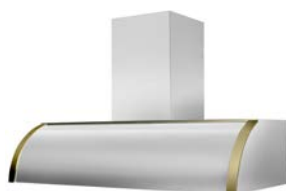
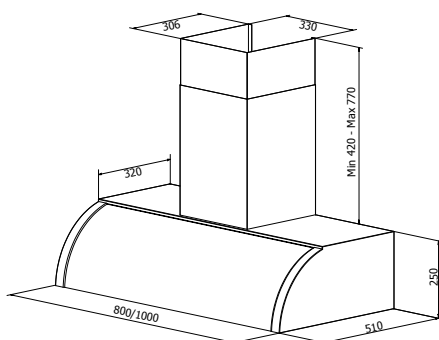


Cetus

PRODUCT PHOTO



DIMENSIONED DRAWING



TECHNICAL INFORMATION

Energy class	A+
Extraction (m ³ /h)	191/222/289/435 (B 664)
Noise level (dBA)	34/38/44/53 (B 63)
Lighting	LED 2700-5000K
Outlet dimensions	120/150
Installation pack	125/160
Height of wall-attachment	430 mm from the bottom of the hood
AUX-signal	Yes

AVAILABLE OPTIONS

Brushed steel	Yes	Incl.
Any colour, gloss 35	Yes	Incl.
Any colour, matt 10	Yes	
Any colour, high gloss 95	Yes	
Other metals, brushed	No	
Other metals, high gloss	No	
Stove Guard PCU (optional)	Yes	

TYPES OF VENTILATION

Duct out	Yes
Recirculation	Yes



Cetus is a beautiful hood that gives a sense of nostalgia that offers excellent opportunities for developing your own design. The hood itself can be made in any colour and the edge strips can be supplied in various metals. Playing around with colours and finishes gives you the freedom to go for something unique and modern, or something more classic or vintage-style. The hood can be stand-alone without the chimney to allow you to integrate the hood under a wall cabinet.

Item no.	Product name	Width	Finish
208100	Cetus SENSE Wall 80 x 25	80 cm	Brushed steel/Colour
208300	Cetus SENSE Wall 100 x 25	100 cm	Brushed steel/Colour

Additional charge for matt or high-gloss colours, see page 99.
Side strips can be supplied in the PVD metal of your choice at no extra charge.

SEE MORE ONLINE:



Scan code with your mobile

