

# Crystall<sup>1160/1180</sup>

## PRODUCT INFO

**Crystall 1160 and 1180** is an improved version on the 1140, offering much higher extraction, lower noise and with it's low energy rating, it's a very economical unit to run. With these features it's clear why this is such a popular integrated model.

## TECHNICAL INFORMATION

Energy class	A
Extraction (m <sup>3</sup> /h)	200/320/540
Noise level (dBA)	48/54/63
Lighting	2 x LED
Outlet dimensions	120/150
Installation pack	125/160
AUX-signal	No

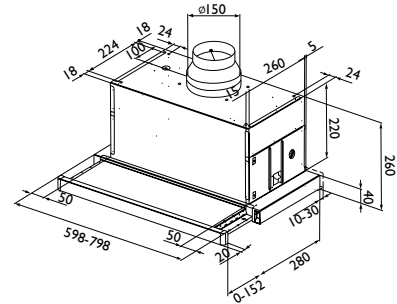
## TYPES OF VENTILATION

Duct out and Recirculation

## PRODUCT PHOTO



## DIMENSIONED DRAWINGS



Item no.	Product name	Width	Finish
8165	Crystall 1160	59.8 cm	Steel
8166	Crystall 1180	79.8 cm	Steel

