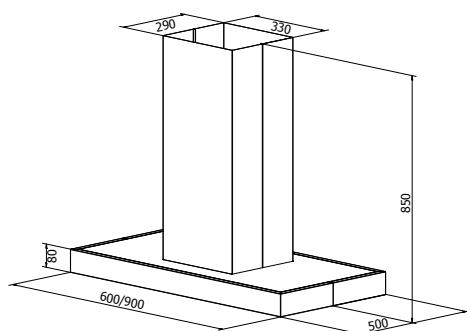


Hera

PRODUCT PHOTO



DIMENSIONED DRAWING



TECHNICAL INFORMATION

Energy class	A++/A+
Extraction (m ³ /h)	191/222/289/435 (B 664)
Noise level (dBA)	34/38/44/53 (B 63)
Lighting	LED 2700-5000K
Outlet dimensions	120/150
Installation pack	125/160
AUX-signal	Yes

AVAILABLE OPTIONS

Brushed steel	Yes	Incl.
Any colour, gloss 35	Yes	Incl.
Any colour, matt 10	Yes	
Any colour, high gloss 95	No	
Other metals, brushed	Yes	
Other metals, high gloss	No	
Stove Guard PCU (optional)	Yes	

TYPES OF VENTILATION

Duct out	Yes
Recirculation	Yes



Hera is a timeless model that never goes out of fashion. It comes in 60 and 90 cm standard widths, in brushed steel or in any colour of your choice. The bottom can be extended on one or both sides to act as a shelf for an additional cost. Hera can be supplied with an optional wooden strip to match your kitchen.

Item no.	Product name	Width	Finish
196200	Hera SENSE Island 60 x 8	60 cm	Brushed steel/Colour
196300	Hera SENSE Island 60 x 8 with wood	60 cm	with wood
196600	Hera SENSE Island 90 x 8	90 cm	Brushed steel/Colour
196700	Hera SENSE Island 90 x 8 with wood	90 cm	with wood

Additional charge for matt colours, PVD copper, steel, black steel or brass in brushed finish.

SEE MORE ONLINE:



Scan code with your mobile

