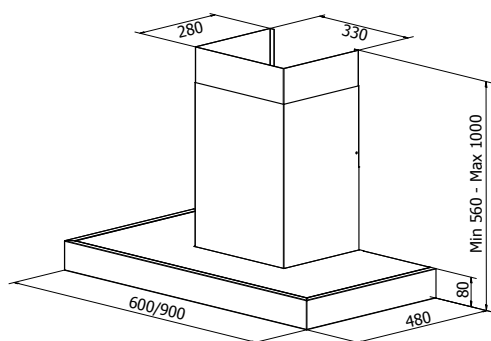


Hera

PRODUCT PHOTO



DIMENSIONED DRAWING



TECHNICAL INFORMATION

Energy class	A++/A+
Extraction (m³/h)	191/222/289/435 (B 664)
Noise level (dBA)	34/38/44/53 (B 63)
Lighting	LED 2700-5000K
Outlet dimensions	120/150
Installation pack	125/160
Height of wall-attachment	395 mm from bottom of the hood
AUX-signal	Yes

AVAILABLE OPTIONS

	Price GBP	
Brushed steel	Yes	Incl.
Any colour, gloss 35	Yes	Incl.
Any colour, matt 10	Yes	535
Any colour, high gloss 95	Yes	535
Other metals, brushed	Yes	630
Other metals, high gloss	No	-
Stove Guard PCU (optional)	Yes	300

TYPES OF VENTILATION

Duct out	Yes
Recirculation	Yes



Hera is a traditional T-shape hood, but with a modern twist, allowing complete customisation for a truly bespoke finish, as well as world-class SENSE technology. With Hera you can truly set your imagination free, as it's not only available in all our colours and metal finishes, but you can also have the bottom trim with a wooden finish. Additionally, you could extend the trim horizontally to act as a shelf.

Item no.	Product name	Width	Finish
195200	Hera SENSE Wall 60 x 8	60 cm	Brushed steel/Colour
195300	Hera SENSE Wall 60 x 8 with wood	60 cm	With wood
195600	Hera SENSE Wall 90 x 8	90 cm	Brushed steel/Colour
195700	Hera SENSE Wall 90 x 8 with wood	90 cm	With wood

Can be supplied with wooden mantel.
Additional charge for matt colours, PVD copper, steel, black steel or brass in brushed finish.

SEE MORE ONLINE:



Scan code with your mobile

