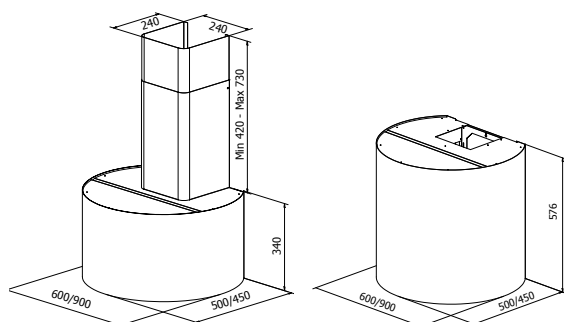


Luna

PRODUCT PHOTO



DIMENSIONED DRAWING



TECHNICAL INFORMATION

Energy class	A++/A+
Extraction (m ³ /h)	191/222/289/435 (B 664)
Noise level (dBA)	34/38/44/53 (B 63)
Lighting	LED 2700-5000K
Outlet dimensions	120/150
Installation pack	125/160
Height of wall-attachment	15 mm from the top of the main unit
AUX-signal	Yes

AVAILABLE OPTIONS

Brushed steel	Yes	Incl.
Any colour, gloss 35	Yes	Incl.
Any colour, matt 10	Yes	
Any colour, high gloss 95	Yes	
Other metals, brushed	Yes	
Other metals, high gloss	Yes	
Stove Guard PCU (optional)	Yes	

TYPES OF VENTILATION

Duct out	Yes
Recirculation	Yes



Luna is breath-taking and a feature that works beautifully in both contemporary and traditional kitchens, bringing a fresh elegance and energy to the space. Complete the look with brass or copper elements for a modern yet timeless feel or bring out your individuality with a colour of your choice. Luna's dimensions can be customised at additional cost, but as standard available in two formats.

Item no.	Product name	Width	Finish
101300	Luna SENSE Wall 60 x 34 with chimney	60 cm	Brushed steel/Colour
101500	Luna SENSE Wall 60 x 57.6 without chimney	60 cm	Brushed steel/Colour
101900	Luna SENSE Wall 90 x 34 with chimney	90 cm	Brushed steel/Colour
102100	Luna SENSE Wall 90 x 57.6 without chimney	90 cm	Brushed steel/Colour

Additional charge for matt or high-gloss finish, PVD copper, steel, black steel or brass, in brushed or high-gloss finish.

SEE MORE ONLINE:



Scan code with your mobile

