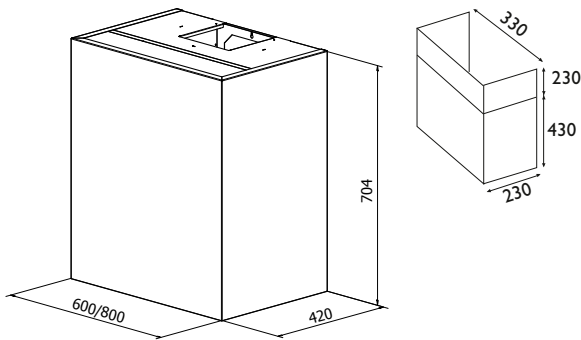


Mantica

PRODUCT PHOTO



DIMENSIONED DRAWING



TECHNICAL INFORMATION

Energy class	A++/A+
Extraction (m ³ /h)	191/222/289/435 (B 664)
Noise level (dBA)	34/38/44/53 (B 63)
Lighting	LED 2700-5000K
Outlet dimensions	120/150
Installation pack	125/160
Height of wall-attachment	10 mm from the top
AUX-signal	Yes

AVAILABLE OPTIONS

Brushed steel	Yes	Incl.
Any colour, gloss 35	Yes	Incl.
Any colour, matt 10	Yes	
Any colour, high gloss 95	Yes	
Other metals, brushed	Yes	
Other metals, high gloss	Yes	
Stove Guard PCU (optional)	Yes	

TYPES OF VENTILATION

Duct out	Yes
Recirculation	Yes



Mantica is one of our most popular hoods. This modern and attractive model can be installed on the wall or between cabinets, and is available in all our colours and metals. The standard widths are 60 or 80 cm, but it can also be made to measure.

Item no.	Product name	Width	Finish
137600	Mantica SENSE Wall 60 x 70.4	60 cm	Brushed steel/Colour
138200	Mantica SENSE Wall 80 x 70.4	80 cm	Brushed steel/Colour

Additional charge for matt or high-gloss finish, PVD copper, steel, black steel or brass, in brushed or high-gloss finish.

SEE MORE ONLINE:



Scan code with your mobile

