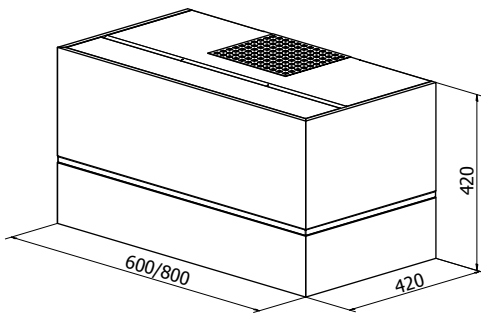


Stripe

PRODUCT PHOTO



DIMENSIONED DRAWING



TECHNICAL INFORMATION

Energy class	A++/A+
Extraction (m ³ /h)	191/222/289/435 (B 664)
Noise level (dBA)	34/38/44/53 (B 63)
Lighting	LED 2700-5000K
Outlet dimensions	150
Installation pack	160
Height of wall-attachment	10 mm from the top
AUX-signal	Yes

AVAILABLE OPTIONS

Brushed steel	No	
Any colour, gloss 35	Yes	Incl.
Any colour, matt 10	Yes	535
Any colour, high gloss 95	No	
Other metals, brushed	No	
Other metals, high gloss	No	
Stove Guard PCU (optional)	Yes	

TYPES OF VENTILATION

Duct out	Yes
Recirculation	Yes



Stripe is one of our latest models. Its stylish and contemporary design, combined with the many options, has made it very popular. Stripe is manufactured from oak and is supplied in the colour of your choice or untreated oak veneer, with a decorative strip in the metal or any colour of your choice. The reversible motor gives the option of ducting out at the rear.

Item no.	Product name	Width	Finish
209600	Stripe SENSE Wall 60 x 42	60 cm	Oak
209700	Stripe SENSE Wall 80 x 42	80 cm	Oak

The wood is oak veneer. It is supplied in any colour of your choice, clear lacquered or untreated. The decorative strip is supplied in PVD metal or lacquered colour of your choice at no extra charge.

SEE MORE ONLINE:



Scan code with your mobile

