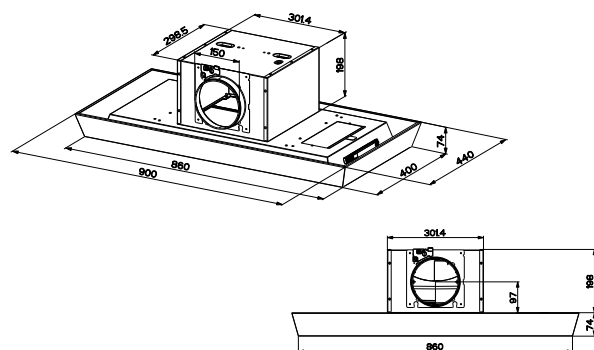


Vision

PRODUCT PHOTO



DIMENSIONED DRAWING



TECHNICAL INFORMATION

Energy class	C
Extraction (m ³ /h)	300/460/580/640
Noise level (dBA)	53/63/68/70
Lighting	2 x LED x 2 W
Outlet dimensions	120/150
Installation pack	125/160
AUX-signal	No

AVAILABLE OPTIONS

Brushed steel	Yes	Incl.
Any colour, gloss 35	No	
Any colour, matt 10	No	
Any colour, high gloss 95	No	
Other metals, brushed	No	
Other metals, high gloss	No	
Stove Guard PCU (optional)	No	

TYPES OF VENTILATION

Duct out	Yes
Recirculation	Yes



Vision is a powerful ceiling hood that discretely removes the odours and vapours while you cook. One of the biggest benefits of Vision is that it fits between ceiling joists, which removes the need for special installation solutions or suspended ceilings, something you would find with most other ceiling hoods. The hood also has an e-installation video that makes installation simple and straightforward. The hood comes with remote control included as standard.

Item no.	Product name	Width	Finish
5043	Vision ceiling hood	90 cm	Steel
9260	Installation pack	125 mm	-
9261	Installation pack	160 mm	-
9012	Charcoal filter	-	-
8050	Remote control	-	-



SEE MORE ONLINE:



Scan code with your mobile

INSTALLATION VIDEO:



Scan code with your mobile