

Crystall^{1160/1180}

PRODUCT INFO

Crystall 1160 and 1180 is an improved version on the 1140, offering much higher extraction, lower noise and with it's low energy rating, it's a very economical unit to run. With these features it's clear why this is such a popular integrated model.

TECHNICAL INFORMATION

Energy class	A
Extraction (m ³ /h)	200/320/540
Noise level (dBA)	48/54/63
Lighting	2 x LED
Outlet dimensions	120/150
Installation pack	125/160
AUX-signal	No

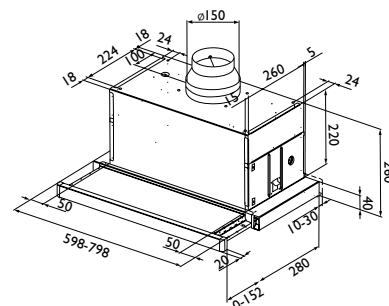
TYPES OF VENTILATION

Duct out and Recirculation

PRODUCT PHOTO



DIMENSIONED DRAWINGS



Item no.	Product name	Width	Finish
8165	Crystall 1160	59.8 cm	Steel
8166	Crystall 1180	79.8 cm	Steel

