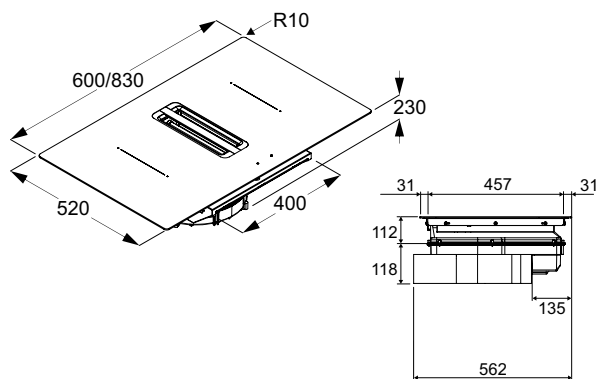


Elegant

PRODUCT PHOTO



DIMENSIONED DRAWING



TECHNICAL INFORMATION

| | |
|------------------------------|--------------------------|
| Energy class | A++ |
| Extraction m ³ /h | 220-450 (B1 530, B2 620) |
| Noise level (dBA) | 44-63 (B1 67, B2 69) |
| Outlet dimensions | 220 x 90 |
| Cooking zones | 4x 2100-3000 W |
| Size cooking zones | 19 x 21 cm |
| Nr of speeds | 8 + 2 Boost |
| AUX-signal | No |

TYPES OF VENTILATION

| | |
|---------------|-----|
| Duct out | Yes |
| Recirculation | Yes |

PROPERTIES OF COMBOHOB

| | |
|------------------------|-----------|
| Touch panel/colour | White |
| Nr. of power steps | 9 + Power |
| Flexible cooking zones | Yes |
| Bridge function | Manual |
| Stop & Go | Yes |
| Child lock function | Yes |
| Timer functionality | Yes |
| Automatic cooking | No |
| Keep warm function | Yes |
| Grill function | No |



Elegant is an all-in-one hob and hood that boasts a sleek and slim design, leaving plenty of cabinet space. Its powerful bridging cooking zones and moisture-extracting recirculation feature make it a functional and convenient choice for any kitchen. The intuitive controls allow for easy operation, while the quiet motor ensures minimal noise. The Elegant also features easy-to-clean features for a comfortable and hassle-free kitchen experience.

| Item no. | Product name | Width | Finish |
|----------|--------------|-------|-------------|
| 210003 | Elegant 83 | 83 cm | Black glass |
| 403684 | Elegant 60 | 60 cm | Black glass |

SEE MORE ONLINE:



Scan code with your mobile