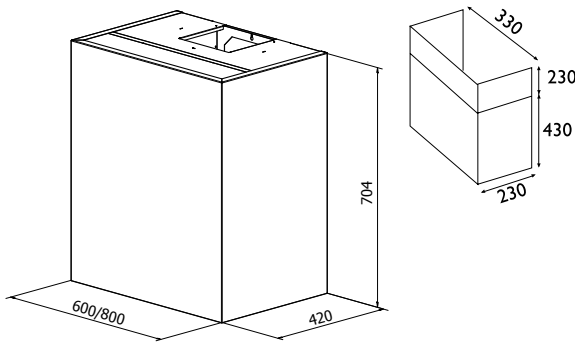


Mantica

PRODUCT PHOTO



DIMENSIONED DRAWING



TECHNICAL INFORMATION

| | |
|--------------------------------|-------------------------|
| Energy class | A++/A+ |
| Extraction (m ³ /h) | 191/222/289/435 (B 664) |
| Noise level (dBA) | 34/38/44/53 (B 63) |
| Lighting | LED 2700-5000K |
| Outlet dimensions | 120/150 |
| Installation pack | 125/160 |
| Height of wall-attachment | 10 mm from the top |
| AUX-signal | Yes |

AVAILABLE OPTIONS

| | | |
|----------------------------|-----|-------|
| Brushed steel | Yes | Incl. |
| Any colour, gloss 35 | Yes | Incl. |
| Any colour, matt 10 | Yes | |
| Any colour, high gloss 95 | Yes | |
| Other metals, brushed | Yes | |
| Other metals, high gloss | Yes | |
| Stove Guard PCU (optional) | Yes | |

TYPES OF VENTILATION

| | |
|---------------|-----|
| Duct out | Yes |
| Recirculation | Yes |



Mantica is one of our most popular hoods. This modern and attractive model can be installed on the wall or between cabinets, and is available in all our colours and metals. The standard widths are 60 or 80 cm, but it can also be made to measure.

| Item no. | Product name | Width | Finish | Price GBP |
|----------|------------------------------|-------|----------------------|-----------|
| 137600 | Mantica SENSE Wall 60 x 70.4 | 60 cm | Brushed steel/Colour | 1 285 |
| 138200 | Mantica SENSE Wall 80 x 70.4 | 80 cm | Brushed steel/Colour | 1 555 |

Additional charge for matt or high-gloss finish, PVD copper, steel, black steel or brass, in brushed or high-gloss finish.

SEE MORE ONLINE:



Scan code with your mobile

