



PCU6.1-F

Installation and Pairing Manual

1. Introduction

This manual describes the installation process of the PCU6.1-F power control unit.

The power control unit is installed together with the RørosHetta Sense cooker hood and it cannot be used by itself. This manual applies only for RørosHetta Sense cooker hoods. If you have a Røros Siro stove guard, please refer to the installation manual provided with the product. This manual must always be used together with the installation manual of the cooker hood.

Contents

1. Introduction
2. Information and Warnings
3. PCU Description
4. Installation
5. Pairing the PCU with the cooker hood

2. Information and Warnings

Information on troubleshooting, technical specifications, disposal, conformity, and terms and conditions can be found in the main instructions (RørosHetta Sense cooker hood manual).

▲ WARNING

Follow instructions marked with a warning accurately to prevent injury to persons and damage to property.

📌 ATTENTION

Follow instructions marked with a note carefully to prevent damage to property.

3. PCU Description

3.1 Purpose of Use

This is a power control unit for a RørosHetta Sense cooker hood. The PCU is a safety device that is connected to the power supply of the cooktop, and it enables the EN50615 compliant stove guard functionality. The PCU is paired with the cooker hood's sensor unit. In a dangerous situation, the PCU automatically turns off the stove.

3.2 Compatibility

The PCU is compatible with most electrical cookers, hobs and ovens meant for household use:

- Traditional cast-iron cookers and hobs
- Ceramic cookers and hobs
- Induction cookers and hobs
- Cookers and hobs equipped with a timer, afterheat indicator, child proof lock or integrated switch-off system

4. Installation

4.1 Installing the power control unit

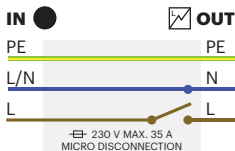
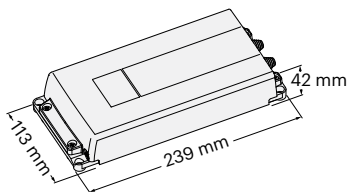
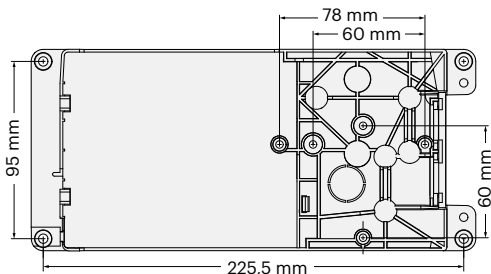
▲ WARNING

Risk of electric shock. All electrical connections must be carried out by a qualified electrician.

Install the power control unit according to the following instructions.

PCU6.1-F - Installation

Fixed 3-phase connection.



⚠ WARNING

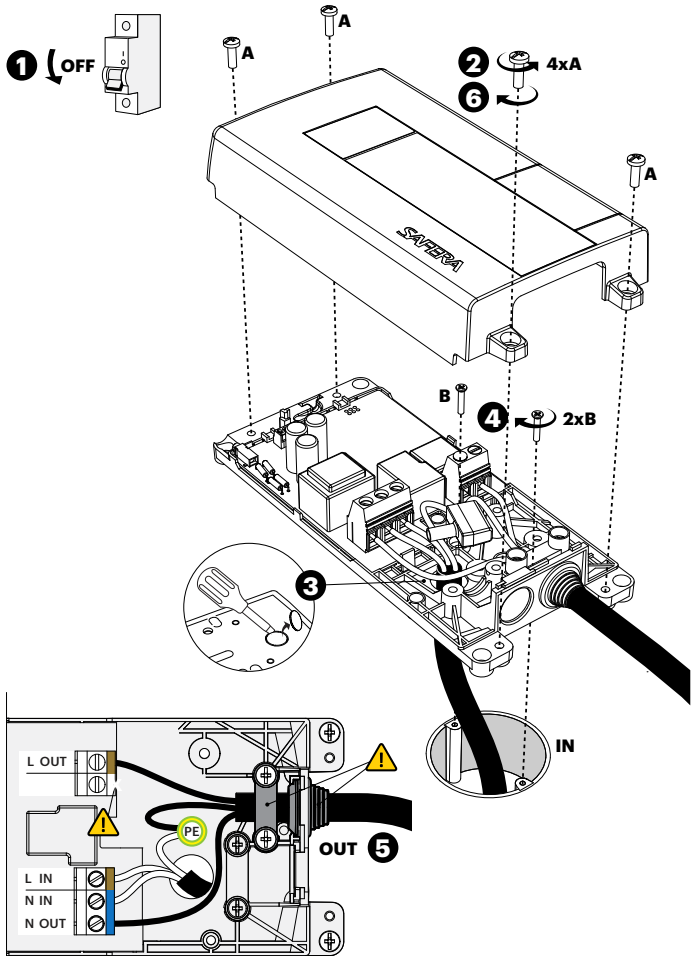
Turn the power off at the isolation switch and ensure that all rings, and if relevant the oven, is turned off.

OUT-wires are always energized when the power control unit is connected to the mains power. If a wire is loose, it must be properly covered.

Do not install the power control unit where it will be exposed to excessive heat: See operational ambient temperature on the power control unit.

⚠ ATTENTION

Install the power control unit so that it is not exposed to moisture. Check that all cables can move freely.



5. Pairing the PCU with the cooker hood

In order for the PCU to work properly, it needs to be paired with the cooker hood.

With the RørrosHetta Sense cooker hood, you have two options to set up the PCU in your kitchen environment: you can do the pairing via the RørrosHetta mobile app or do a manual setup without the app.



5.1 Pairing with the app

The PCU can be controlled and configured via the RørrosHetta mobile app.

To do the pairing in the app:

1. Download and install the RørrosHetta App to your mobile phone (search for “RørrosHetta App” in the App Store or Play Store).
2. Open the app and choose “Connect to a New Device”.
3. Press the OK button **1** on the sensor unit. RørrosHetta Sense should appear in the list in the app.
4. Select RørrosHetta Sense and choose “Connect”.
 - If the app calls for Bluetooth pairing, allow it.
 - If the app prompts you to update the sensor device software, allow it.
5. In the app, go to the “Installation

Wizard” and follow the instructions. The app will guide you through questions regarding your kitchen and cooker type and then set up the PCU for your installation environment.

5.2 Manual pairing

To manually pair the wireless connection between the PCU and the cooker hood:

1. Turn OFF the power to the PCU (cooktop).
2. On the cooker hood’s panel, press the OK button **1** and the + button **3** at the same time for approximately 3 seconds, until the constant purple indicator light of the OK button lights up.
3. Turn ON the power to the PCU (Cooktop). The pairing is now complete.
4. Test the system manually as described in section 5.3.

For troubleshooting, see the RørrosHetta Sense cooker hood manual.

5.3 Check the working order

1. Turn on one plate with medium high power. With an induction cooker use a suitable pan.
2. Press and hold the OK button **1** for 5 seconds: the system should cut off the cooker power.
3. Test there is no power to the hob by attempting to switch on a ring. If ok, switch off the hob.
4. Return the cooker power by pressing the OK button **1**: the indicator light should flash green once.
5. Working order checked successfully.

