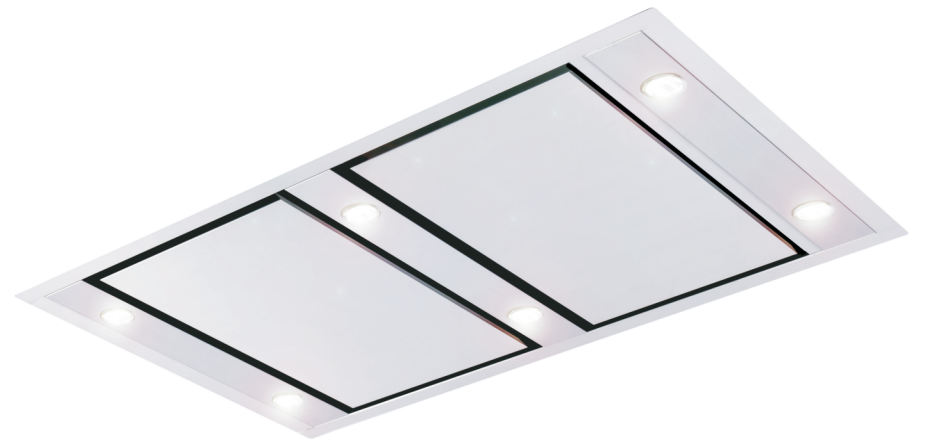


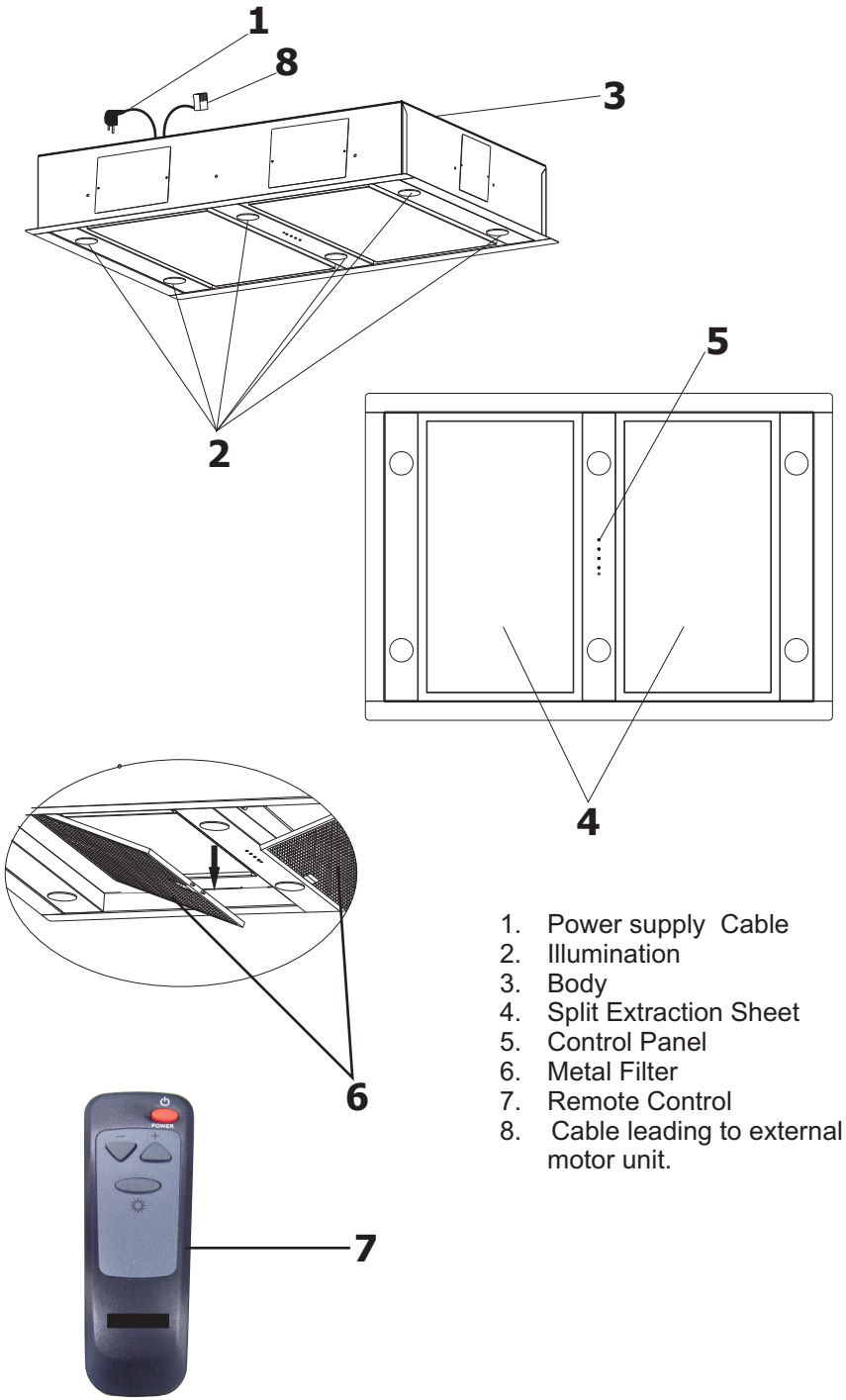
KITCHEN HOOD

USER MANUAL

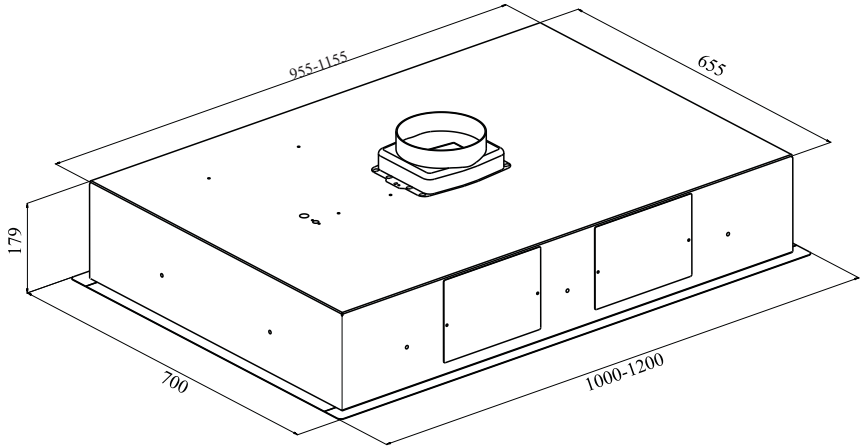


4220

Sized Technical Figure



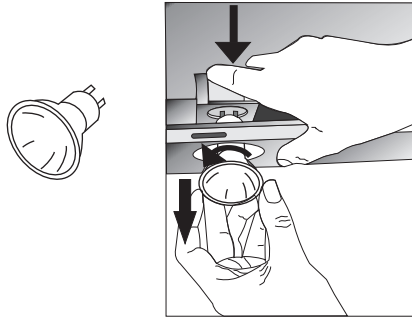
- 1. Power supply Cable
- 2. Illumination
- 3. Body
- 4. Split Extraction Sheet
- 5. Control Panel
- 6. Metal Filter
- 7. Remote Control
- 8. Cable leading to external motor unit.



REPLACING LAMPS

3W LED Halogen

There are 6 LED halogen lamps in the device. For replacing halogen lamps, push downwards from the back part of the lamp holder, and slightly twist it anticlockwise direction, and pull downwards. Replace the damaged lamp with an equal lamp. When inserting the lamp, twist it clockwise direction.



WARNINGS AND SAFETY MEASURES

- * This product is designed for home-use.
- * Operation voltage of the product is 220-240 Volt ~ 50Hz.
- * Network cable of the product has a grounded plug. This cable must be plugged in a grounded socket.
- * All electric installation must be performed by a qualified electrician.
- * Installation performed by unauthorized people may result in underperformance, product damage, and accidents.
- * Avoid squeezing and smashing the power supply cable during assembly. Network cords should not lay alongside hobs.
- * Don't put the plug into any socket before finishing the assembly.
- * Make sure that the socket is located on an easily reachable place so as to enable unplugging in case of any emergency.
- * In case of longer operation periods, don't touch lamps of the product which may result in burns due to heat.
- * Kitchen hoods are designed and intended for home-use for regular cooking. Any use other than intended may cause malfunction risk, and not covered by guarantee.
- * Observe rule guidelines of relative authorities regarding the discharge of outlet air (This warning does not apply to operations without chimney).
- * Flammable foods should not be cooked under the device.
- * Operate the device after positioning a saucepan, pan, etc. on the hob. Otherwise, the high-heat may cause deformation on some specific parts of the device.
- * Before taking the saucepan, pan, etc. out of the hob, turn off the hob.
- * Don't leave hot oil on the hob. Pots having boiling oil may be self-flammable.
- * When cooking fried foods and similar, make sure that curtains and cloths are at a safe distant from the hob as the oil may inflame.
- * Ensure on time replacement of filters. Untimely filter replacements may cause fire risk due to oils accumulated on filters.
- * Don't use non-fire-resistant materials instead of filter.
- * Don't operate the device without filter, and don't remove the filters when the device is under operation.
- * In case of inflaming, turn off the power of the hood and other cooking appliances (unplug the cable for interrupting the power)
- * There may be fire risk unless the cleaning is periodically performed.
- * Before maintenance, unplug the product (unplug the cable for interrupting the power)
- * When a hood above an electrical hob and devices fed by any source other than electric are simultaneously operating, the negative room pressure must not exceed 4 Pa (4 x 10 bars).
- * If any device such as room heater which operates with fuel or gas is located in the same location with this device, such devices must be fully isolated from the exhaust volume of this device, or the device must be of hermetic type.
- * Use pipes of 150/200 mm diameter of this product. The pipe connection must be as short as possible and it must have as minimum numbers of bends as possible.
- * As packaging materials can be dangerous for children, keep such materials out of reach of children.

* Make sure that your children don't tamper with the device. Don't allow little kids to tamper with the device.

* If the power supply cable damages, this cable must be replaced by the manufacturer or service, or similar qualified personnel for preventing any possible hazard.

* In case of inflammation, turn off the power of the hood and cooking appliances; blanket the fire. Never use water to extinguish the fire.

For safety purposes, use "MAX 6 A" fuse in the hood installation

MAINTENANCE AND CLEANING

Attention!

Unplug the cable or turn off the switch before all maintenance and cleaning operations.

Maintenance Periods:

* A periodical product maintenance must be performed for performance continuity of hoods.

* When the metal filter is stuffed with oil and dust particles, it distorts the device performance.

Metal Filter Cleaning Periods:

* Depending on the use, the metal filter should be cleaned once every 2-3 weeks.

HOOD CLEANING

CAUTION!

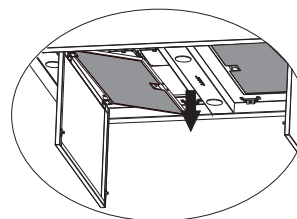
Unplug the cable or turn off the switch.

Don't clean the hood with steam cleaners. Inappropriate cleaning may result in discoloration of Inox surface.

Use Inox cleansing for cleaning the hood surface.

Removing and Cleaning the Metal Filter:

Metal filter is located behind the split-extraction sheet. For opening split-extraction sheets, drive your fingers in the opening between the mid-panel and split-extraction sheet, and pull it downwards. You can remove it by pressing the spring-latch located over the metal filter.



Metal Filter Cleaning:

* Clean the metal filter by using warm soapy water and a soft sponge. After the cleaning, rinse with warm water.

* Metal filter can be washed in dishwasher at 55 °C under normal cycle. Washing at higher temperatures may damage the filter.

* Metal filters must be washed separately without dishes and glasses. Otherwise, the filter oil may spread to dishes and glasses, or leftovers may clog the filter.

* After washing and drying the filter, reinstall it, and remove side-suction sheets.

CAUTION!

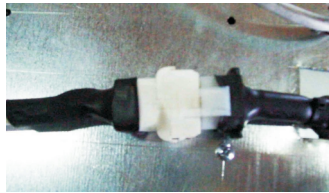
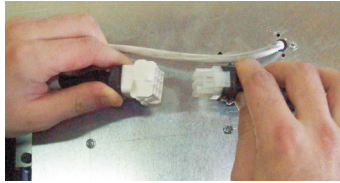
When cleaning metal filters, show ultimate care for not damaging the filters. Filters may discolor due to frequent cleaning or use of aggressive cleansers. Such discoloration does not affect the function of the filter, and is not considered to be a reason for reclamation.

Pull the cable coming from external ventilation unit, and drive it 30cm into from the hole located on the upper side of the hood.



Cable leading to external motor unit.

On/Off



Cut off the electrical connection of the hood. For such situations, turn off the fuse of the hood.

* Place the hood on the section determined on the ceiling, and screw it to the ceiling as shown in Figure 2.

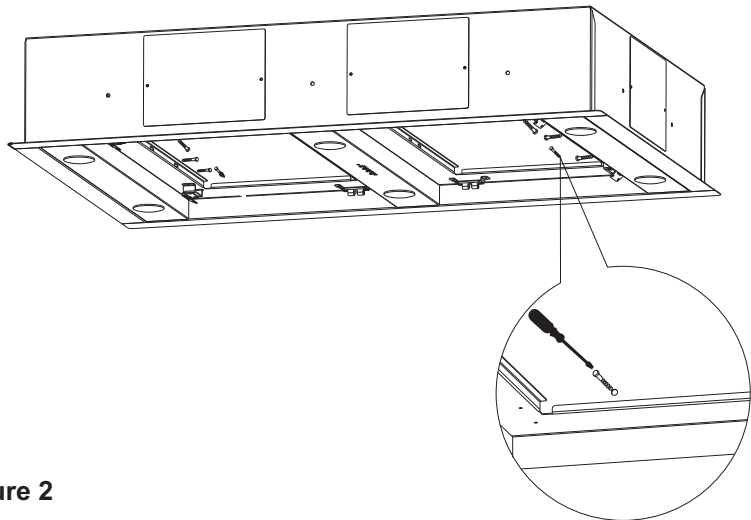
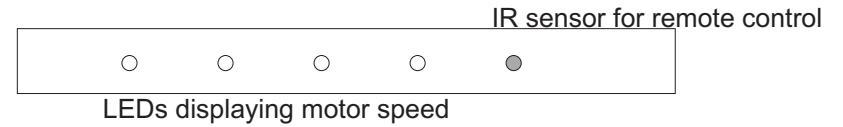


Figure 2

Warnings for Forwarding and Transport

- * All materials used in the packaging of this product are recyclable.
- * During transport, observe signs and symbols drawn on the product box.
- * Grab the side-handles of the box for carrying the product.

There is no control button on the hood. The hood can only be operated by remote control.



Functions of Remote Control and Buttons:

Mon/Off: Use this button for activating and deactivating the motor. The starting speed of the motor is 1. The numbers of motor speeds are shown by LED on the same number of operating speeds. In 1st speed, the leftmost LED is on; in 2nd cycle, two LEDs from the left are on, etc.

SPEED -: This option is functional when the motor operates. At each time you press this button, the motor speed will be reduced to the next lower level (Minimum level is 1).

Timer Feature: Timer can be activated by pressing “speed -” button. This option is functional when the motor operates. Press and hold (2 seconds) this button to start the motor operating timing of 15 minutes. The flashing rightmost LED shows that the timer function is activated. The motor stops when the 15 minutes period is over. The timer will be deactivated in case of speed change when the timer is active.

SPEED+: This option is functional when the motor operates. Each time you press this button, the motor speed will be increased to the next up level (maximum level is 4).

Illumination:

This device has three illumination settings. You can light-up two, four or six halogen lamps simultaneously as you wish.

LAMP: 2 groups of lamps are controlled. If you press the lamp button when the illumination is off, the illumination will be controlled as follows: **1st group – 2nd group- 1st and 2nd groups- off ...** That is, if you press the lamp button when the illumination is off, only 1st lamp group will light up; if you repress the same button within 3 seconds, the 2nd lamp group will be activated; if you repress the same button within 3 seconds, both lamp groups will be activated; if you press same button again, the lamps will be deactivated. Thus, a three-phase lamp sequence is designed. If you press the lamp button when the illumination is on, both lamp groups will turn-off.

NOTE: Unless any change made in the position of the hood for 4 hours, the hood will turn-off which means if only the motor is on, it will turn-off; if only lamps are on, they will turn-off; and if both are on, they will both turn-off. If the remote control or the product breakdowns, you can turn off the product by using on/off switch in the product.

	Check whether the switch in the hood is on "0" position or not.	Check whether the fuses on the installation or the device are under good working conditions or not.	For resetting the product, turn off the hood by using the switch or main fuse. Wait for 20 seconds and re-start.	Check the aluminum filter. (Under regular conditions, aluminum cassette filter should be washed once in a month.)	Check whether the batteries are full or not.
Hood does not operate	X	X			
Hood cannot be controlled	X	X	X		
Low air suction				X	
Remote control does not operates					X

If the hood does not operate:

Before calling the service:

Make sure that the plug is plugged in the socket and that the electric fuse is under good working condition. Don't attempt any act that may be harmful to the device. Before calling the service, check your hood according to **Table 1** above. If the problem persists, call your dealer or authorized service.

Service and Spare Parts:

You can provide spare parts for your device from your dealers or authorized service. A list of authorized services is provided in the product package. For asking for a spare part when you call the dealer or the authorized service, please quote the product model name that appears on the product label. You can see the product label when you remove the aluminum cassette filter.

External ventilation units must be used for ceiling model hoods.

Before mounting of ceiling hoods, make the connections of previously selected external ventilation system, and prepare the air outlet duct of 150 mm diameter and the part which will be mounted to the ceiling, and fix the plastic chimney to flexi pipe by using a clamp. After installing the hood on the ceiling, pull the plastic chimney and fix it with wing nuts. Air outlet can be provided from any side of the device. Unused air outlet hole should be closed.

* For installing the hood to the ceiling, there should be a section on the ceiling that corresponds to sizes given in technical drawing. Drill an opening for the plastic chimney appropriate to the position of the air outlet.

Connection of External Ventilation Unit with the Hood:

* Open the split-extraction sheet of the device and remove the filter (Figures 1 & 2).

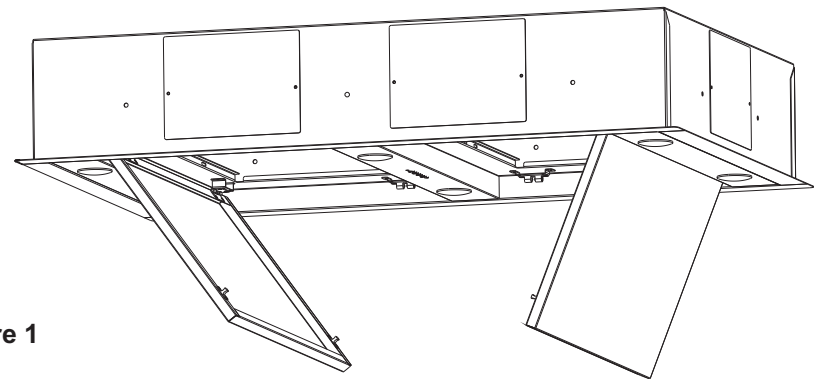


Figure 1

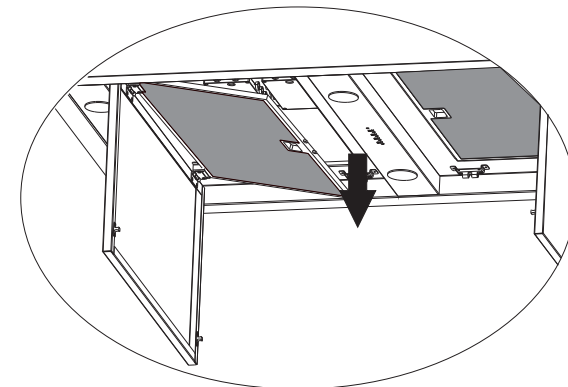


Figure 2