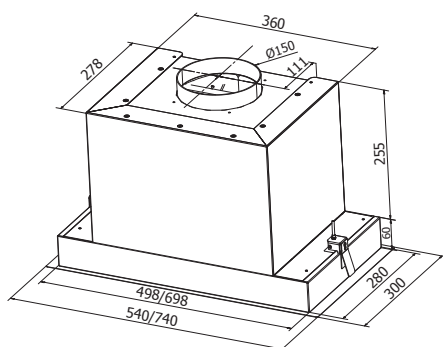


# Diskret Sense

## PRODUCT PHOTO



## DIMENSIONED DRAWING



## TECHNICAL INFORMATION

|                                |                         |
|--------------------------------|-------------------------|
| Energy class                   | A+                      |
| Extraction (m <sup>3</sup> /h) | 177/275/377/477 (B 587) |
| Noise level (dBA)              | 36/44/52/58 (B 62)      |
| Lighting                       | LED 2700-5000K          |
| Outlet dimensions              | 125/150                 |
| Installation pack              | 125/160                 |
| AUX-signal                     | Yes                     |

## AVAILABLE OPTIONS

|                            |     |
|----------------------------|-----|
| Brushed steel              | Yes |
| Any colour, gloss 35       | Yes |
| Any colour, matt 10        | Yes |
| Other metals, brushed      | Yes |
| Other metals, high gloss   | No  |
| Stove Guard PCU (optional) | Yes |

## TYPES OF VENTILATION

|               |     |
|---------------|-----|
| Duct out      | Yes |
| Recirculation | Yes |



**Diskret Sense**, our latest innovation in kitchen ventilation, is a unique built-in overhead cabinet extractor exclusive to the market. Customisable in any colour or one of four brushed metal finishes, it ensures seamless integration. Known for its exceptional quietness, it features advanced perimeter extraction and a turnable motor for straightforward ducting. Compatible with all ventilation systems, Diskret Sense offers a blend of comfort, bespoke style, and superior functionality.

| Item no. | Product name                        | Width  | Finish               |
|----------|-------------------------------------|--------|----------------------|
| 403837   | Diskret SENSE 60                    | 54 cm  | Brushed steel/Colour |
| 403838   | Diskret SENSE 80                    | 74 cm  | Brushed steel/Colour |
| 9260     | Installation pack                   | 125 mm | -                    |
| 9261     | Installation pack                   | 160 mm | -                    |
| 8521     | Long-life charcoal filter           | -      | -                    |
| 403154   | SENSE Pro Indoor climate monitoring | -      | -                    |
| 8176     | PCU for Stove Guard functionality*  | -      | -                    |

Installation in cabinet with a base panel.  
The cover around the motor box is always white.  
The grease filter has a cleaning-sensor and is dishwasher safe.  
Additional charge for matte colours, PVD copper, steel, black steel or brass in brushed finish.  
\* The Stove Guard PCU is highly recommended and allows the hood to cut the power to any electrical hob in fire emergency.

SEE MORE ONLINE:



Scan code with your mobile

