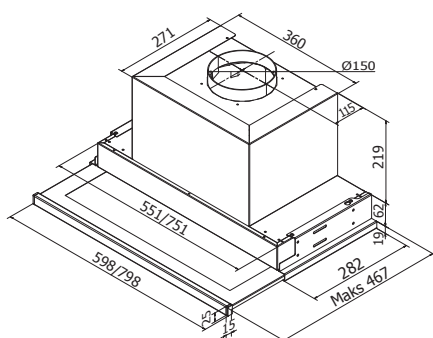


Slide Sense

PRODUCT PHOTO



DIMENSIONED DRAWING



TECHNICAL INFORMATION

Energy class	A++
Extraction (m ³ /h)	199/266/332/423 (B 641)
Noise level (dBA)	36/43/47/53 (B 64)
Lighting	LED 2700-5000K
Outlet dimensions	125/150
Installation pack	125/160
AUX-signal	Yes

AVAILABLE OPTIONS

Brushed steel	No
Any colour, gloss 35	Yes
Any colour, matt 10	No
Other metals, brushed	No
Other metals, high gloss	No
Stove Guard PCU (optional)	Yes

TYPES OF VENTILATION

Duct out	Yes
Recirculation	Yes



The Slide SENSE is a revolutionary new integrated extractor hood. Equipped with cutting-edge SENSE technology, this hood operates automatically and quietly, while seamlessly blending into your kitchen cabinets for a sleek look. It can be colour matched in any colour to match your kitchen design, including the frontal strip. Alternatively the strip can be delivered in brushed steel for a modern touch.

Item no.	Product name	Width	Finish
403321	Slide SENSE 60	59,8 cm	Colour
403322	Slide SENSE 60 SAFE	59,8 cm	Colour
403323	Slide SENSE 80	79,8 cm	Colour
403324	Slide SENSE 80 SAFE	79,8 cm	Colour
9260	Installation pack	125 mm	-
9261	Installation pack	160 mm	-
8521	Long-life charcoal filter	-	-
403154	SENSE Pro Indoor climate monitoring	-	-
8176	PCU for Stove Guard functionality*	-	-
404293	Front-edge strip 16 mm	59,8 cm	-
404292	Front-edge strip 16 mm	79,8 cm	-

The front strip can be delivered in brushed steel at no additional cost.
 Installation in cabinet without a base panel.
 The cover around the motor box is always white.
 The grease filter has a cleaning-sensor and is dishwasher safe.
 * The Stove Guard PCU is highly recommended and allows the hood to cut the power to any electrical hob in fire emergency.

SEE MORE ONLINE:



Scan code with your mobile

