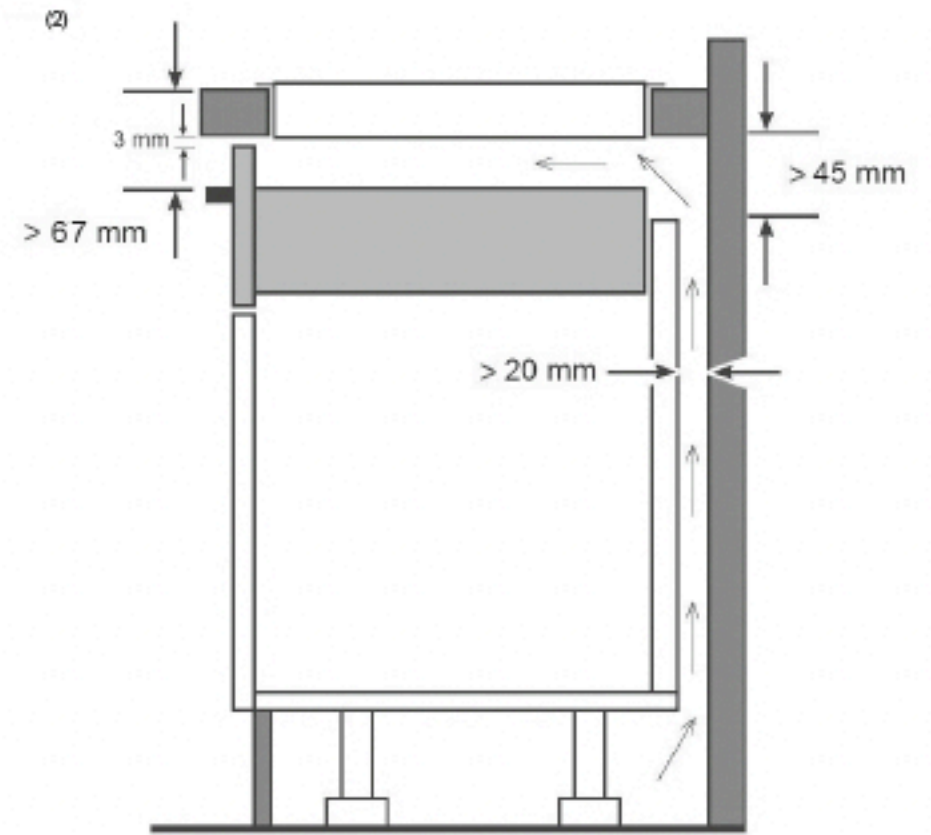
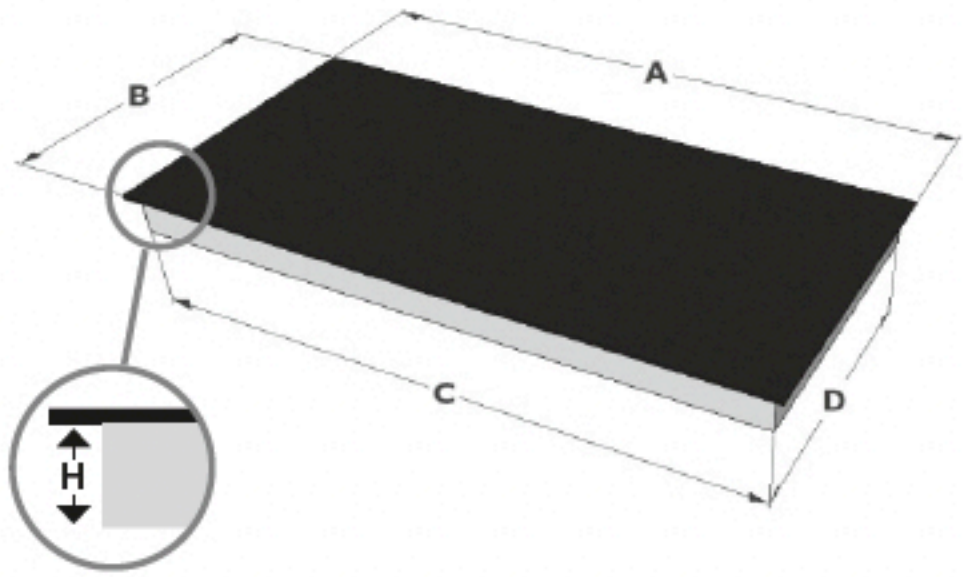


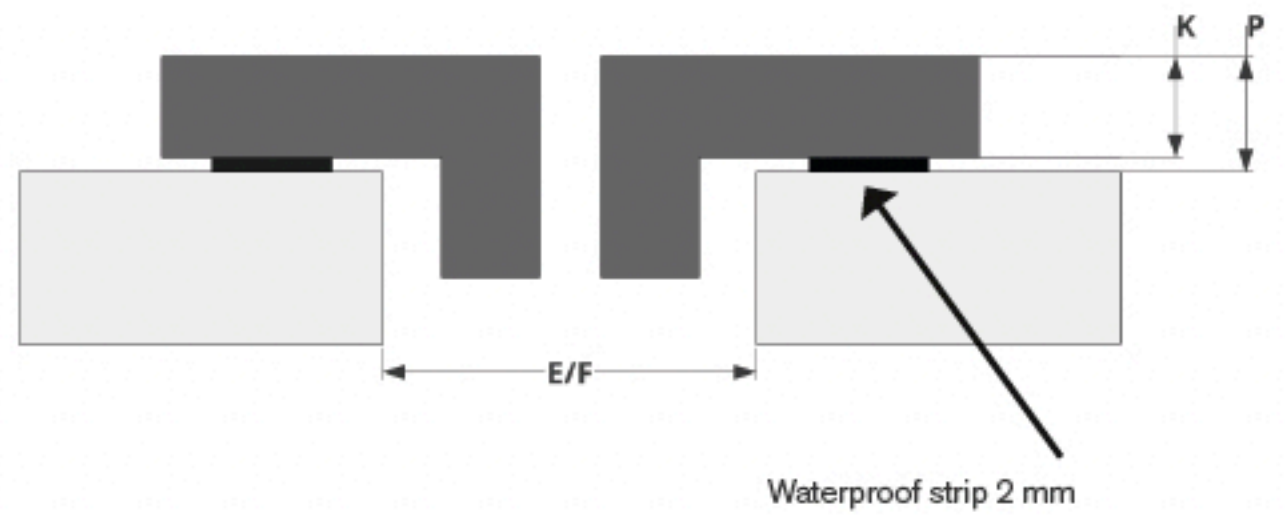
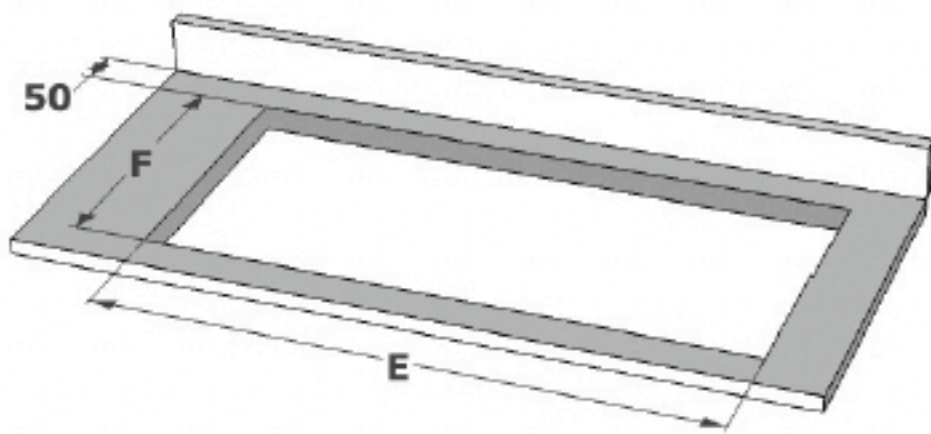
Easy 65 cm cut-out measurements

	A	B	E	F	H	R ⁽¹⁾	S	T	K	P
Downdraft										
1821, 1831, 1841	888	528	888	588	85	7	881	521	1	8
1871, 1881	650	520	560	490	244	7	654	524	4	6
1851, 1861	800	520	750	490	225	7	804	524	4	8

Dimensions



Surface installation



Flush installation

