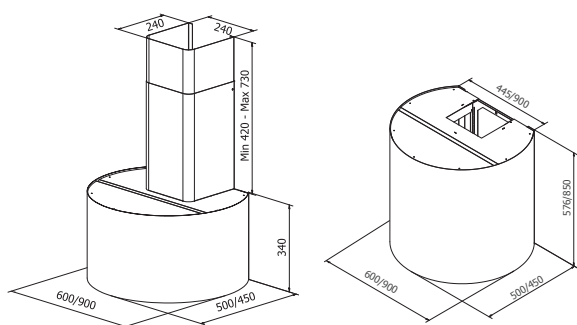


Luna

PRODUCT PHOTO



DIMENSIONED DRAWING



TECHNICAL INFORMATION

Energy class	A++
Extraction (m ³ /h)	216/281/349/435 (B 654)
Noise level (dBA)	38/44/49/54 (B 64)
Lighting	LED 2700-5000K
Outlet dimensions	120/150
Installation pack	125/160
Height of wall-attachment	15 mm from the top of the main unit
AUX-signal	Yes

AVAILABLE OPTIONS

Brushed steel	Yes
Any colour, gloss 35	Yes
Any colour, matt 10	Yes
Other metals, brushed	Yes
Other metals, high gloss	Yes
Stove Guard PCU (optional)	Yes

TYPES OF VENTILATION

Duct out	Yes
Recirculation	Yes



Photo: Magnet Kitchens UK

Luna is breath-taking and a feature that works beautifully in both contemporary and traditional kitchens, bringing a fresh elegance and energy to the space. Complete the look with brass or copper elements for a modern yet timeless feel or bring out your individuality with a colour of your choice. Luna's dimensions can be customised at additional cost, but as standard available in three formats.

Item no.	Product name	Width	Finish
101300	Luna SENSE Wall 60 x 34 with chimney	60 cm	Brushed steel/Colour
101500	Luna SENSE Wall 60 x 57.6 without chimney	60 cm	Brushed steel/Colour
101600	Luna SENSE Wall 60 x 85	60 cm	Brushed steel/Colour
101900	Luna SENSE Wall 90 x 34 with chimney	90 cm	Brushed steel/Colour
102100	Luna SENSE Wall 90 x 57.6 without chimney	90 cm	Brushed steel/Colour
9260	Installation pack	125 mm	-
9261	Installation pack	160 mm	-
8521	Long-life charcoal filter	-	-
403154	SENSE Pro Indoor climate monitoring	-	-
8176	PCU for Stove Guard functionality*	-	-
9245	Custom chimney height, up to 1 m	-	Brushed steel/Colour
9241	Custom chimney height, up to 1,8 m	-	Brushed steel/Colour
9242	Additional charge for custom angled chimney	-	-
9305	Custom height, up to 105 cm	-	Brushed steel/Colour

The grease filter has a cleaning-sensor and is dishwasher safe. Additional charge for matte finish, PVD copper, steel, black steel or brass, in brushed or high-gloss finish.

* The Stove Guard PCU is highly recommended and allows the hood to cut the power to any electrical hob in fire emergency.

SEE MORE ONLINE:



Scan code with your mobile

