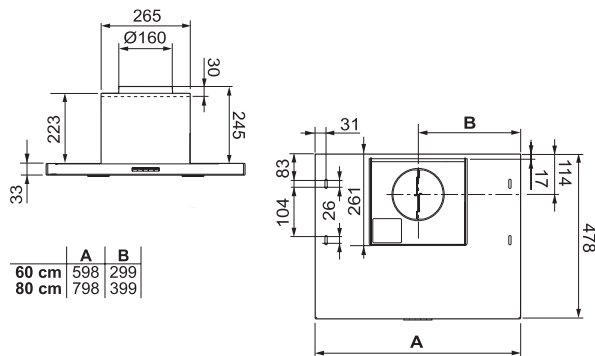


# 600

## PRODUCT PHOTO



## DIMENSIONED DRAWING



## TECHNICAL INFORMATION

Energy class	A
Extraction (m <sup>3</sup> /h)	231/324/448 (B 780)
Noise level (dBA)	45/54/64 (B 74)
Lighting	2 x LED
Outlet dimensions	125/160
Installation pack	125/160
AUX-signal	Yes

## AVAILABLE OPTIONS

Brushed steel	Yes
Any colour, gloss 35	No
Any colour, matt 10	No
Other metals, brushed	No
Other metals, high gloss	No
Stove Guard PCU (optional)	Yes

## TYPES OF VENTILATION

Duct out	Yes
Recirculation	Yes

**600** is a sleek, contemporary slimline cabinet model designed for versatile ventilation solutions. Crafted in durable steel, it accommodates both duct out and recirculation systems. Available in 60 or 80 cm widths, Equipped with an AUX-signal, 600 also offers the option to integrate a Stove Guard, combining style with practicality and safety.

Item no.	Product name	Width	Finish
7900	600 original 60	59.8 cm	Steel
7914	600 SAFE (SG) 60	59.8 cm	Steel
7901	600 original 80	79.8 cm	Steel
7915	600 SAFE (SG) 80	79.8 cm	Steel
9260	Installation pack	125 mm	-
9261	Installation pack	160 mm	-
403296	Charcoal filter 600, 60 cm	-	-
403297	Charcoal filter 600, 80 cm	-	-

This model is non-telescopic.  
Fitted under a wall cabinet, with or without a base panel.

SEE MORE ONLINE:



Scan code with your mobile