

Crystall^{1160/1180}

PRODUCT INFO

Crystall 1160 and 1180 is an improved version on the 1140, offering much higher extraction, lower noise and with it's low energy rating, it's a very economical unit to run. With these features it's clear why this is such a popular integrated model.

TECHNICAL INFORMATION

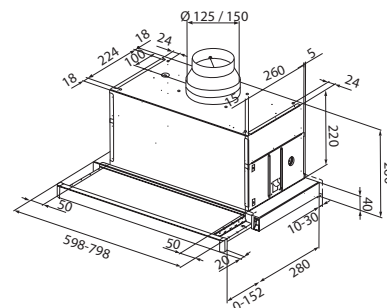
Energy class	A
Extraction (m ³ /h)	270/380/520
Noise level (dBA)	47/53/60
Lighting	2 x LED
Outlet dimensions	120/150
Installation pack	125/160
AUX-signal	No

TYPES OF VENTILATION Duct out and Recirculation

PRODUCT PHOTO



DIMENSIONED DRAWINGS



Item no.	Product name	Width	Finish
8165	Crystall 1160	59.8 cm	Steel
8166	Crystall 1180	79.8 cm	Steel
9260	Installation pack	125 mm	-
9261	Installation pack	160 mm	-
9251	Charcoal filter	-	-
403995	Additional Front-edge strip white 60	-	-
403998	Additional Front-edge strip white 80	-	-

