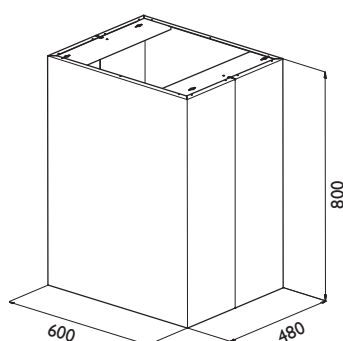


Mantica

PRODUCT PHOTO



DIMENSIONED DRAWING



TECHNICAL INFORMATION

Energy class	A++/A+
Extraction (m ³ /h)	216/281/349/435 (B 654)
Noise level (dBA)	38/44/49/54 (B 64)
Lighting	LED 2700-5000K
Outlet dimensions	120/150
Installation pack	125/160
AUX-signal	Yes

AVAILABLE OPTIONS

Brushed steel	Yes
Any colour, gloss 35	Yes
Any colour, matt 10	Yes
Other metals, brushed	Yes
Other metals, high gloss	Yes
Stove Guard PCU (optional)	Yes

TYPES OF VENTILATION

Duct out	Yes
Recirculation	Yes



Mantica is a modern cooker hood and one of our most popular models. It can be supplied in any of our colours and metals – to fit your style the best. Mantica can be made to measure, and can be angled to fit sloping ceilings. The sleek lines, linear flow and premium quality, result in a truly unrivalled modern aesthetic.

Item no.	Product name	Width	Finish
331500	Mantica SENSE Island 60 x 80	60 cm	Brushed steel/Colour
9260	Installation pack	125 mm	-
9261	Installation pack	160 mm	-
8521	Long-life charcoal filter	-	-
403154	SENSE Pro Indoor climate monitoring	-	-
8176	PCU for Stove Guard functionality*	-	-
9305	Custom height, up to 105 cm	-	Brushed steel/Colour
9307	Custom width, up to 154 cm	-	Brushed steel/Colour
9330	Custom angled top	-	-

The grease filter has a cleaning-sensor and is dishwasher safe. Additional charge for matte colours PVD copper, steel, black steel or brass in brushed or high-gloss finish.

* The Stove Guard PCU is highly recommended and allows the hood to cut the power to any electrical hob in fire emergency.

SEE MORE ONLINE:



Scan code with your mobile

