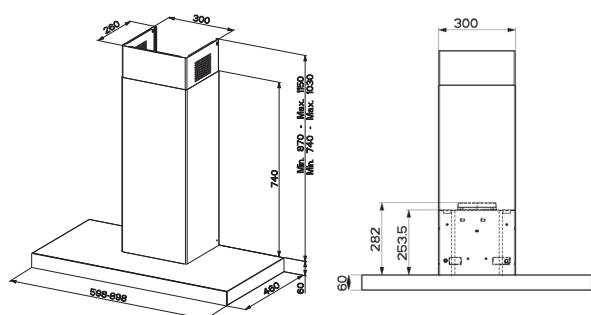


# Merkur

## PRODUCT PHOTO



## DIMENSIONED DRAWING



## TECHNICAL INFORMATION

Energy class	A+
Extraction (m <sup>3</sup> /h)	270/350/450 (B 780)
Noise level (dBA)	48/54/60 (B 71)
Lighting	2 x LED x 2 W
Outlet dimensions	120/150
Installation pack	125/160
Height of wall-attachment	320 mm from the bottom of the hood
AUX-signal	No

## AVAILABLE OPTIONS

Brushed steel	No
Any colour, gloss 35	No
Any colour, matt 10	No
Other metals, brushed	No
Other metals, high gloss	No
Stove Guard PCU (optional)	No

## TYPES OF VENTILATION

Duct out	Yes
Recirculation	Yes



**Merkur** has clean straight lines with a traditional T-shape, with a black steel finish that gives it real elegance and makes it a great choice for the modern kitchen. Merkur is available in a width of 60 or 90 cm. The black hood contrasts beautifully with a lighter coloured kitchen, or with matching black appliances.

Item no.	Product name	Width	Finish
5095	Merkur 60	59.8 cm	Black Steel
5096	Merkur 90	89.8 cm	Black Steel
9260	Installation pack	125 mm	-
9261	Installation pack	160 mm	-
9013	Charcoal filter	-	-
404127	Remote control	-	-

SEE MORE ONLINE:



Scan code with your mobile

