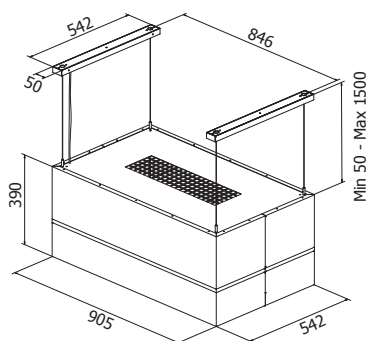


Stripe

PRODUCT PHOTO



DIMENSIONED DRAWING



TECHNICAL INFORMATION

Energy class	A++/A+
Extraction (m ³ /h)	216/281/349/435 (B 654)
Noise level (dBA)	38/44/49/54 (B 64)
Lighting	4 x LED
Outlet dimensions	-
Installation pack	-
AUX-signal	Yes

AVAILABLE OPTIONS

Brushed steel	Yes
Any colour, gloss 35	Yes
Any colour, matt 10	Yes
Other metals, brushed	Yes
Other metals, high gloss	No
Stove Guard PCU (optional)	Yes

TYPES OF VENTILATION

Duct out	No
Recirculation	Yes



Stripe is one of our newest additions to our range, and very trendy. This hood is produced in steel and can be supplied in any colour, with a decorative strip in a PVD metal or in the colour of your choice. As a free-hanging hood, it's only suitable for recirculation, but the state of the art long-life monoblock filter means that you don't need to change the filter for up to 5 years (900 hours of cooking).

Item no.	Product name	Width	Finish
209500	Stripe SENSE Island 90	90.5 cm	Brushed steel/Colour
8521	Long-life charcoal filter	-	-
403154	SENSE Pro Indoor climate monitoring	-	-
8176	PCU for Stove Guard functionality*	-	-

The decorative strip can be supplied in the PVD metal or any colour at no extra charge.

The grease filter has a cleaning-sensor and is dishwasher safe. Additional charge for matte colours, PVD copper, steel, black steel or brass in brushed finish.

Long-life charcoal filter is included with the first purchase.

* The Stove Guard PCU is highly recommended and allows the hood to cut the power to any electrical hob in fire emergency.

SEE MORE ONLINE:



Scan code with your mobile

