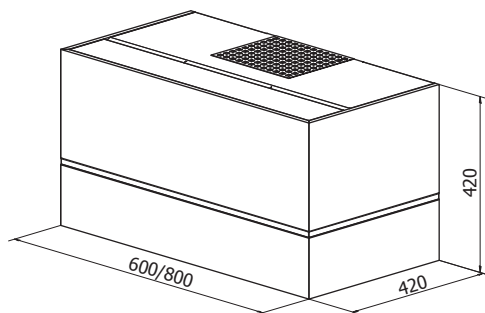


# Stripe

## PRODUCT PHOTO



## DIMENSIONED DRAWING



## TECHNICAL INFORMATION

Energy class	A++/A+
Extraction (m <sup>3</sup> /h)	216/281/349/435 (B 654)
Noise level (dBA)	38/44/49/54 (B 64)
Lighting	LED 2700-5000K
Outlet dimensions	150
Installation pack	160
Height of wall-attachment	10 mm from the top
AUX-signal	Yes

## AVAILABLE OPTIONS

Brushed steel	No
Any colour, gloss 35	Yes
Any colour, matt 10	Yes
Other metals, brushed	No
Other metals, high gloss	No
Stove Guard PCU (optional)	Yes

## TYPES OF VENTILATION

Duct out	Yes
Recirculation	Yes



**Stripe**, with its stylish and contemporary design, has quickly become one of our most popular hoods. Stripe is manufactured from oak veneer and is supplied in the colour of your choice or untreated oak veneer. The decorative strip can be manufactured in any metal or any colour of your choice.

Item no.	Product name	Width	Finish
209600	Stripe SENSE Wall 60 x 42	60 cm	Oak/Colour
209700	Stripe SENSE Wall 80 x 42	80 cm	Oak/Colour
9261	Installation pack	160 mm	-
8521	Long-life charcoal filter	-	-
403154	SENSE Pro Indoor climate monitoring	-	-
8176	PCU for Stove Guard functionality*	-	-

The decorative strip is supplied in PVD metal or lacquered colour of your choice at no extra charge.

The wood is oak veneer. It is supplied in any colour of your choice, clear lacquered or untreated. Additional charge for matte colour.

The grease filter has a cleaning-sensor and is dishwasher safe.

\* The Stove Guard PCU is highly recommended and allows the hood to cut the power to any electrical hob in fire emergency.

SEE MORE ONLINE:



Scan code with your mobile

