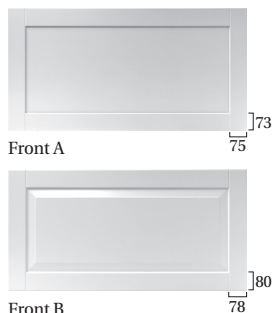
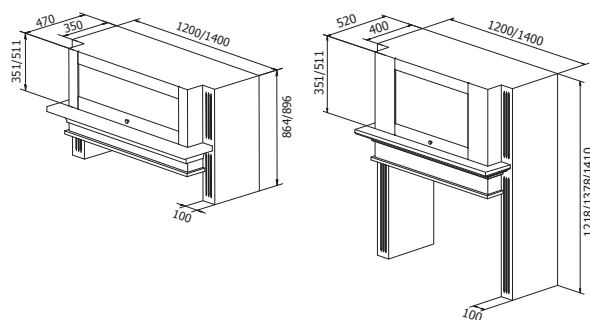


# Tradisjon

## PRODUCT PHOTO



## DIMENSIONED DRAWING



Between wall cabinets

Down to worktop

## TECHNICAL INFORMATION

Energy class	A++/A+
Extraction (m <sup>3</sup> /h)	216/281/349/435 (B 654)
Noise level (dBA)	38/44/49/54 (B 64)
Lighting	LED 2700-5000K
Outlet dimensions	120/150
Installation pack	125/160
Height of wall-attachment	See mounting instructions
AUX-signal	Yes

## AVAILABLE OPTIONS

Brushed steel	No
Any colour, gloss 35	Yes
Any colour, matt 10	Yes
Other metals, brushed	No
Other metals, high gloss	No
Stove Guard PCU (optional)	Yes

## TYPES OF VENTILATION

Duct out	Yes
Recirculation	Yes



**Tradisjon** is a distinguished and classic model that will never go out of fashion. This is craftsmanship at its best, giving the kitchen a familiar and cosy atmosphere. It can be supplied in oak or MDF, in whatever colour and size you desire. The Tradisjon gives the impression of an integrated hood, but with much better functional delivery.

Item no.	Product name	Width	Finish
210000	Tradisjon SENSE 120 x 70.4 between wall cabinets	120 cm	MDF
210100	Tradisjon SENSE 120 x 86.4 between wall cabinets	120 cm	MDF
210500	Tradisjon SENSE 120 x 86.4 between wall cabinets	120 cm	Oak
212000	Tradisjon SENSE 120 x 89.6 between wall cabinets	120 cm	MDF
212400	Tradisjon SENSE 120 x 89.6 between wall cabinets	120 cm	Oak
210200	Tradisjon SENSE 120 x 121.8 down to worktop	120 cm	MDF
210300	Tradisjon SENSE 120 x 137.8 down to worktop	120 cm	MDF
212100	Tradisjon SENSE 120 x 141 down to worktop	120 cm	MDF
210900	Tradisjon SENSE 140 x 86.4 between wall cabinets	140 cm	MDF
211000	Tradisjon SENSE 140 x 121.8 down to worktop	140 cm	MDF
211100	Tradisjon SENSE 140 x 137.8 down to worktop	140 cm	MDF
211500	Tradisjon SENSE 140 x 137.8 down to worktop	140 cm	Oak

The grease filter has a cleaning-sensor and is dishwasher safe. Additional charge for matte colours.

\* The Stove Guard PCU is highly recommended and allows the hood to cut the power to any electrical hob in fire emergency.

SEE MORE ONLINE:



Scan code with your mobile

