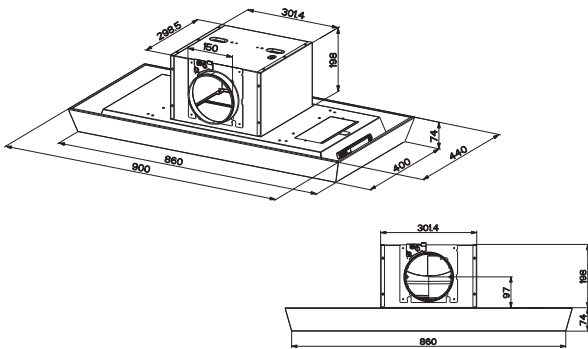


Vision

PRODUCT PHOTO



DIMENSIONED DRAWING



TECHNICAL INFORMATION

Energy class	B
Extraction (m ³ /h)	209/450/580 (B 650)
Noise level (dBA)	49/58/63 (B 65)
Lighting	2 x LED x 2 W
Outlet dimensions	120/150
Installation pack	125/160
AUX-signal	No

AVAILABLE OPTIONS

Brushed steel	Yes
Any colour, gloss 35	No
Any colour, matt 10	No
Other metals, brushed	No
Other metals, high gloss	No
Stove Guard PCU (optional)	No

TYPES OF VENTILATION

Duct out	Yes
Recirculation	Yes



The Vision ceiling hood is a powerful yet discreet solution for removing odors and vapors while cooking. It stands out for its ability to fit between standard ceilings, eliminating the need for special installation solutions or suspended ceilings, which is a common issue with other ceiling hoods. With its e-installation video, installation is made easy and hassle-free. Additionally, it comes with a remote control included as standard.

Item no.	Product name	Width	Finish
5043	Vision ceiling hood	90 cm	Steel
9260	Installation pack	125 mm	-
9261	Installation pack	160 mm	-
9012	Charcoal filter	-	-
404127	Remote control	-	-

Reversible motor: Horizontal duct-out in any direction with 90-degree increment. Max distance to cooktop 1.6 metres.

SEE MORE ONLINE:



Scan code with your mobile

INSTALLATION VIDEO:



Scan code with your mobile

